

IMPORTANT INSTRUCTIONS - OPERATING MANUAL

EVD Series



Exhaust Fan



READ AND SAVE THESE INSTRUCTIONS

READ CAREFULLY BEFORE ATTEMPTING TO ASSEMBLE, INSTALL, OPERATE OR MAINTAIN THE PRODUCT DESCRIBED. PROTECT YOURSELF AND OTHERS BY OBSERVING ALL SAFETY INFORMATION. FAILURE TO COMPLY WITH INSTRUCTIONS COULD RESULT IN PERSONAL INJURY AND/OR PROPERTY DAMAGE!



RETAIN INSTRUCTIONS FOR FUTURE REFERENCE.

GENERAL SAFETY INFORMATION

When using electrical appliances, basic precautions should always be followed to reduce the risk of fire, electric shock and injury to person, including the following:



WARNING: TO REDUCE THE RISK OF FIRE, ELECTRIC SHOCK AND INJURY TO PERSON, OBSERVE THE FOLLOWING:

- a) Use this unit only in the manner intended by the manufacturer. If you have questions, contact the manufacturer.
- b) Before servicing or cleaning the unit, switch power off at service panel and lock the service disconnecting means to prevent power from being switched on accidentally. When the service disconnecting means cannot be locked, securely fasten a prominent warning device, such as a tag, to the service panel.



WARNING: TO REDUCE THE RISK OF FIRE, ELECTRIC SHOCK AND INJURY TO PERSON, OBSERVE THE FOLLOWING:

- a) Installation work and electrical wiring must be done by qualified person(s) in accordance with all applicable codes and standards, including fire-related construction.
- b) Sufficient air is needed for proper combustion and exhausting of gases through the flue (chimney) of fuel burning equipment to prevent back drafting. Follow the heating equipment manufacturer's guideline and safety standards such as those published by the National Fire Protection Association (NFPA) and the American Society for Heating, Refrigeration, and Air Conditioning Engineers (ASHRAE), and the local code authorities.
- c) When cutting or drilling into wall or ceiling, do not damage electrical wiring and other hidden utilities.



CAUTION: FOR GENERAL VENTILATING USE ONLY. DO NOT USE TO EXHAUST HAZARDOUS OR EXPLOSIVE MATERIALS AND VAPORS.

- d) Ducted fans must always be vented to the outdoors.
- e) If this unit is to be installed over a tub or shower, it must be marked as appropriate for the application and be connected to a GFCI (Ground Fault Circuit Interrupter) – protected branch circuit.
- f) This unit must be grounded.
- g) To avoid motor bearing damage and noisy and/or unbalanced impellers, keep drywall spray, construction dust, etc. off power unit.
- h) Read all instructions before installing or using exhaust fan.



WARNING: TO REDUCE THE RISK OF FIRE, ELECTRIC SHOCK, DO NOT USE THIS FAN WITH ANY SOLID-STATE SPEED CONTROL DEVICE.



WARNING: DO NOT USE IN KITCHENS.



WARNING: THE DUCTING FROM THIS FAN TO THE OUTSIDE OF THE BUILDING HAS A STRONG EFFECT ON THE AIR FLOW, NOISE AND ENERGY USE OF THE FAN. USE THE SHORTEST, STRAIGHTEST DUCT ROUTING POSSIBLE FOR BEST PERFORMANCE, AND AVOID INSTALLING THE FAN WITH SMALLER DUCTS THAN RECOMMENDED. INSULATION AROUND THE DUCTS CAN REDUCE ENERGY LOSS AND INHIBIT MOLD GROWTH. FANS INSTALLED WITH EXISTING DUCTS MAY NOT ACHIEVE THEIR RATED AIRFLOW.

SAVE THESE INSTRUCTIONS

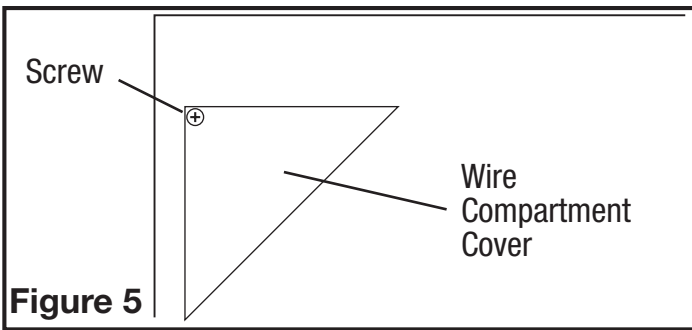


Figure 5

- 1b. Internal Wire Compartment: If the motor is already installed in the housing, remove the two screws holding the blower assembly in place. Lift up on the assembly and slide it out of the tabs on the housing (Figure 6). Remove the wire compartment cover screw and place the cover in a secure place (Figure 7).

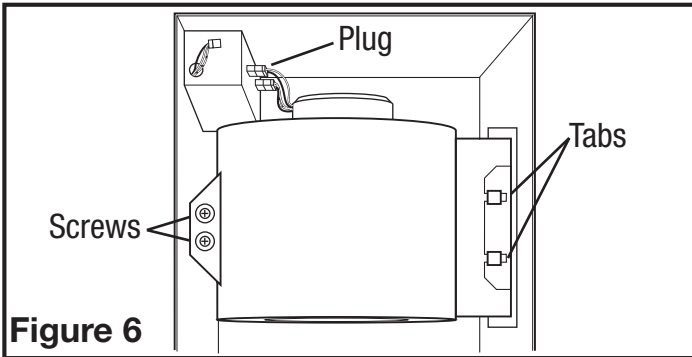


Figure 6

NOTE: If the fan motor plug is connected to the fan housing receptacle, unplug so the blower assembly can be completely removed.

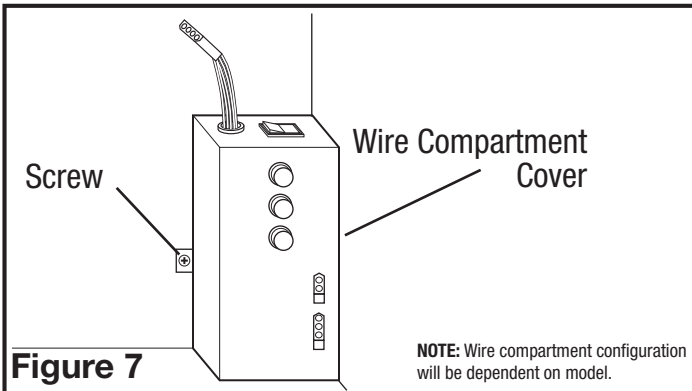


Figure 7

Standard Models

2. **Continuous Ventilation:** For two speed fans wired for continuous ventilation, connect the White wire of the fan to the White (Neutral) wire from the power source. Connect the ground wire from the house to the green wire from the fan housing. Connect the Black wire of the fan to the Black wire (Hot) from the power source. Connect the Hot Yellow wire from the fan to the input of the switch. Connect the second Yellow wire from the fan to the output side of the switch. Closing the switch will change from normal to high speed (Figure 8). A manual override switch (not included) can be added inline with the black (hot) line to provide a manual fan Off function. If this switch is placed in the Off position none of the unit's functions will operate.

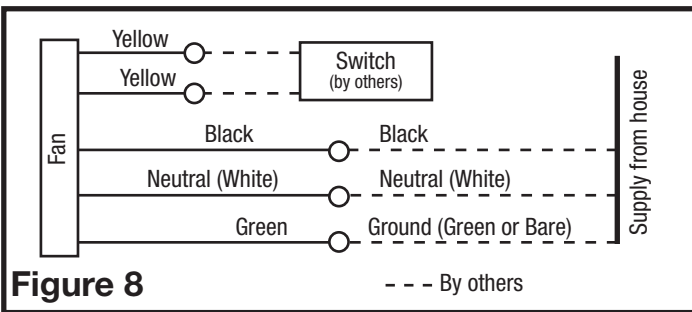


Figure 8

NOTE: The yellow wire may contain a wire crimp nut which will have to be cut off and the wire stripped.

Motion Sensing Models

3. For two speed fans wired for continuous ventilation, connect the White wire of the fan to the White (Neutral) wire from the power source. Connect the ground wire from the house to the green wire from the fan housing. Connect the Black wire of the fan to the Black wire (Hot) from the power source. The fan will operate on low speed continuously and boost to high speed when motion is detected (Figure 9). A manual override switch (not included) can be added inline with the black (hot) line to provide a manual fan Off function. If this switch is placed in the Off position none of the unit's functions will operate.

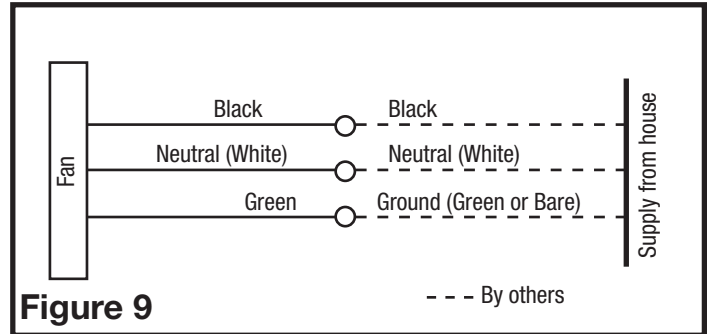


Figure 9

Humidity Sensing Models

4. For two speed fans wired for continuous ventilation, connect the White wire of the fan to the White (Neutral) wire from the power source. Connect the ground wire from the house to the Green wire from the fan housing. Connect the Black wire of the fan to the Black wire (Hot) from the power source. The fan will operate on low speed continuously and boost to high upon a rise in humidity. Using a properly grounded switch, connect 1 yellow wire to each side of the switch. Closing the switch will change from normal to high speed (Figure 10). A manual override switch (not included) can be added inline with the black (hot) line to provide a manual fan Off function. If this switch is placed in the Off position none of the unit's functions will operate.

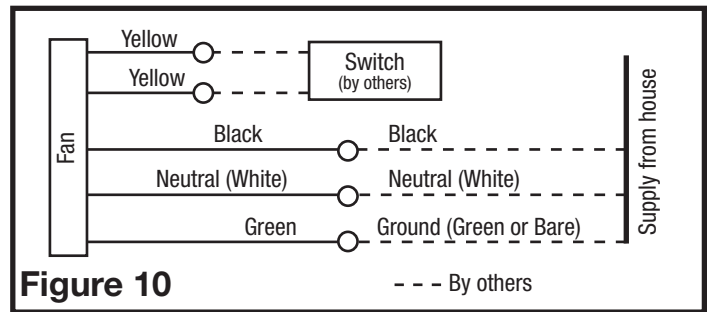


Figure 10

NOTE: The yellow wire may contain a wire crimp nut which will have to be cut off and the wire stripped.

Motion and Humidity Sensing Models

5. For two speed fans wired for continuous ventilation, connect the White wire of the fan to the White (Neutral) wire from the power source. Connect the ground wire from the house to the green wire from the fan housing. Connect the Black wire of the fan to the Black wire (Hot) from the power source. A manual override switch (not included) can be added inline with the black (hot) line to provide a manual fan Off function. If this switch is placed in the Off position none of the unit's functions will operate.

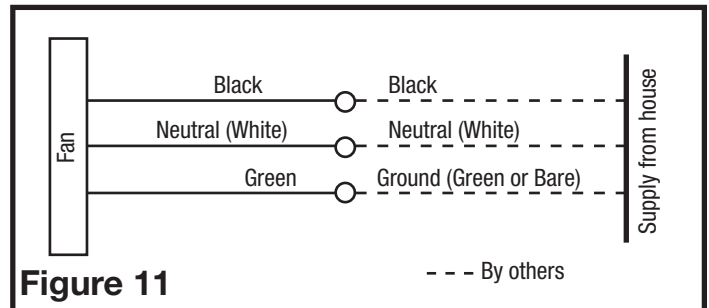


Figure 11

6. Carefully tuck wire back inside wire compartment and replace wire compartment cover securing with the screw that was removed earlier.

NOTE: The fan's receptacle wires might need to be pulled outside compartment for connection. Only pull the five loose wires outside of compartment. Additional wires will be present.

NOTE: Unit must be grounded according to all local and national codes.

SECTION 6

Completing the Installation

1. Use a sealant appropriate for contact with the building materials present and for the temperature requirements of the installation to prevent air leakage from unconditioned spaces is recommended. If gaps between unit housing and ceiling are great, additional material (backing rod, ceiling material) may be required.

NOTE: This fan is rated for direct insulation contact (Type IC) and it is recommended that this fan be completely covered by insulation in order to reduce heat loss or gain to unconditioned space.

2. If the fan's blower assembly was removed during the wiring process, reinstall the blower by reversing the directions in **Section 5 (Wiring), Step 1b**.
- 3a. **STANDARD MODELS:** Plug the fan's 2 pin and 3 pin quick connect motor cords into the corresponding receptacle located on the wire compartment cover. These cords will only fit one way into the receptacles (**Figure 11**).

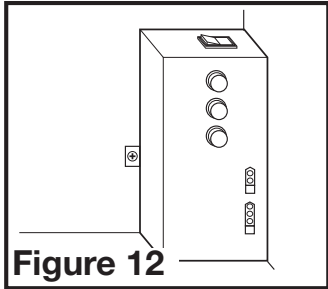


Figure 12

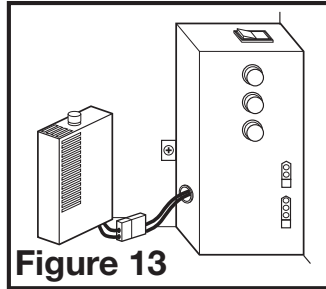


Figure 13

- 3b. **HUMIDITY SENSING MODELS:** Plug the fan's 2 pin and 3 pin quick connect motor cords into the corresponding receptacle located on the wire compartment cover. These cords will only fit one way into the receptacles (**Figure 12**).

- 3c. **MOTION SENSING MODELS:** Plug the fan's 2 pin and 3 pin quick connect motor cords into the receptacles located on the side of the wire compartment. Plug the 3 pin quick connect cord from the motion sensor on the grill into the receptacle coming out of the top of the wire compartment. These cords will only fit one way into the receptacles (**Figure 13**).

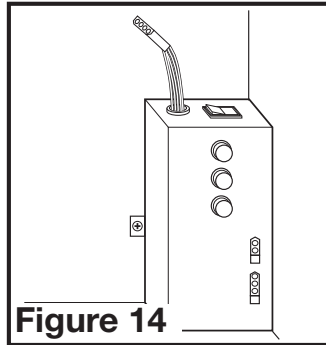


Figure 14

- 3d. **MOTION AND HUMIDITY SENSING MODELS:** Plug the fan's 2 pin and 3 pin quick connect motor cords into the receptacles located on the side of the wire compartment. Plug the 4 pin quick connect cord from the motion sensor on the grill into the receptacle coming out of the top of the wire compartment. These cords will only fit one way into the receptacles (**Figure 14**).

4. **VARIABLE SPEED:** First decide if you will require more or less than 65 CFM of ventilation on the low speed setting. If it is less than 65 CFM place the Low CFM Range rocker switch on the 30-60 range. If it is more, place the low CFM range rocker switch on the 70-120 range. Once you have decided on the minimum required airflow, the fans low speed CFM level can be adjusted by using either the lower adjustment knob (30-60 CFM) or the middle adjustment knob (70-120 CFM). The desired high speed CFM can be adjusted by using the upper most adjustment knob (**Figure 16**).

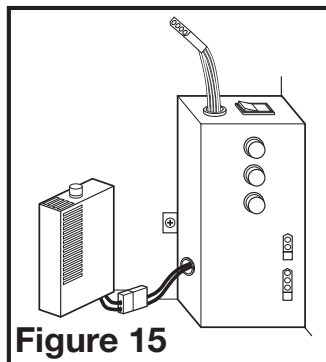


Figure 15

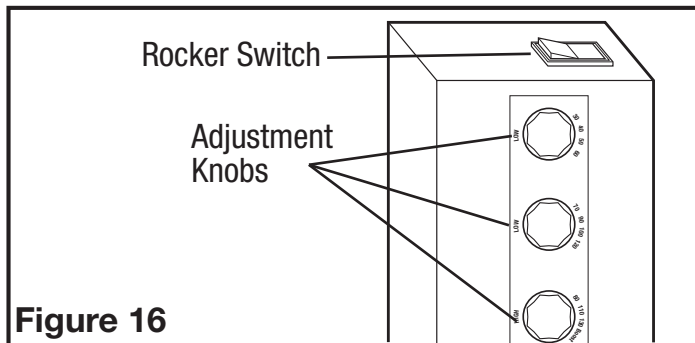


Figure 16

- 5a. **STANDARD AND HUMIDITY SENSING MODELS:** Install the grill by squeezing the two ends of the springs together and installing them up into the slots on the fan's housing. Push the grill up into position (**Figure 17**).

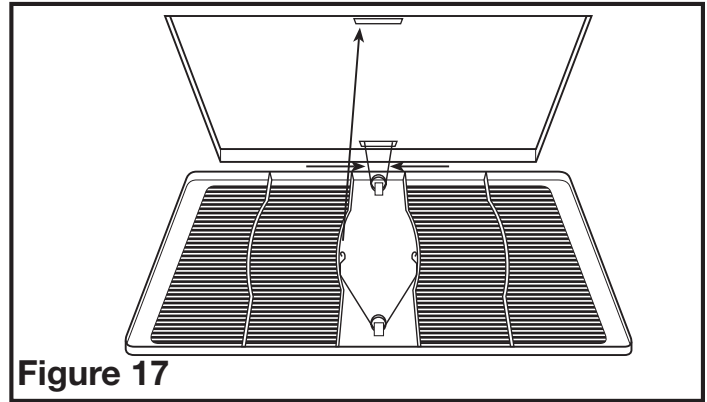


Figure 17

- 5b. **MOTION SENSING MODELS:** Install the grill by squeezing the spring furthest from the motion sensor together and installing it up into the slot furthest from the wire compartment on the fan's housing. Attach the 3 pin quick connect from the motion sensor on the grill to the harness installed in **Step 2a**. This cord will only fit one way into the receptacle. Install the other spring in place and push the grill up into position (**Figure 18**).

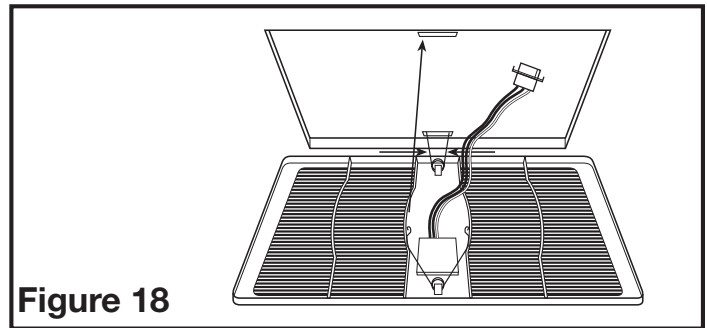


Figure 18

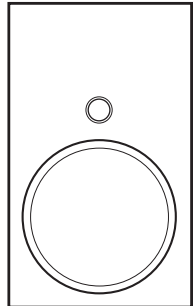
5. Restore power and test your installation.

SECTION 7

Programming the Occupancy Sensor

- 1a. **Setting the Occupancy Time Delay.** This will set the amount of time the fan will continue to operate on high speed after the room is vacated. Locate the motion sensor on the fan's grill and press the button 2 times. The LED on the sensor will then flash the number of times to indicate the current setting, this will repeat 3 times:

1 time = 30 seconds	6 times = 12.5 minutes
2 times = 2.5 minutes	7 times = 15 minutes
3 times = 5 minutes	8 times = 17.5 minutes
4 times = 7.5 minutes	9 times = 20 minutes
5 times = 10 minutes*	



- 1b. To adjust the setting, while the sensor is still flashing from **Step 1a**, press the button the number of times that corresponds with the amount of time you desire, for instance 3 times sets the delay to 5 minutes (see numbers in **Step 1**). The sensor will then flash the number of times for the new setting 3 times before exiting back to the programming mode.

- 2a. **Setting the Minimum On Time.** This sets the minimum time the fan will operate on high speed once motion is detected within the room. This works in conjunction with the Occupancy Time Delay feature set in **Steps 1a** and **1b**. For instance if you set the minimum time on for 15 minutes and the Time Delay for 5 minutes, the fan will operate for at least 15 minutes then 5 additional minutes.

NOTE: This is a minimum time that the fan will operate. If the room is occupied longer, the fan will continue to run until the room is vacated and the occupancy time delay has elapsed.

- 2b. Locate the motion sensor on the fan's grill and press the button 10 times. The LED on the sensor will then flash the number of times to indicate the current setting, this will repeat 3 times:

1 time = 0 minutes	4 times = 45 minutes
2 times = 15 minutes*	5 times = 60 minutes
3 times = 30 minutes	

- 2c. To adjust the setting, while the sensor is still flashing from **Step 2b**, press the button the number of times that corresponds with the amount of time you desire, for instance 3 times sets the minimum on time to 30 minutes (see numbers in **Step 2b**). The sensor will then flash the number of times for the new setting 3 times before exiting back to the programming mode.

3. Once all setting have been made and the sensor will return to detection mode and the LED will flash when occupancy of the room is detected.

SECTION 8

Setting the Humidistat

This fan may be equipped with a humidity sensor that automatically turns the fan on (or to high speed on dual speed models) when humidity is above set point and off (or back to low speed on dual speed models) when humidity is at or below set point. If the fan is operating too long or not enough, first check to see the humidity sensor set point. In cases where the ambient humidity level of the room rises higher than the preset level, the fan will turn on even if the room is not occupied. This helps prevent conditions that lead to mold growth.



CAUTION: MAKE SURE POWER IS SWITCHED OFF AT SERVICE PANEL BEFORE SERVICING THE UNIT.

- To set the desired humidity level of the room, remove the grill and locate the dehumidistat dial located on the wire compartment cover.
- Set the dial to the relative humidity you want the fan to maintain usually between 50 & 80%. Moist climates will require higher settings than dry climates. When the humidity level of the room is below this setting the fan will remain off (or low speed on dual speed models). When the humidity level rises above this setting the fan will turn on (or to high speed on dual speed models) and run until the humidity level falls below this setting.
- Reinstall the grill and restore power.

SECTION 9

Use and Care



CAUTION: MAKE SURE POWER IS SWITCHED OFF AT SERVICE PANEL BEFORE SERVICING THE UNIT.

- Cleaning the Grill:** Remove grill and use a mild detergent, such as dishwashing liquid, and dry with a soft cloth. NEVER USE ANY ABRASIVE PADS OR SCOURING POWDERS. Completely dry grill before reinstalling. Refer to instructions in **Section 6 Finishing the Installation**, to reinstall grill.
- Cleaning the Fan Assembly:** Wipe all parts with a dry cloth or gently vacuum the fan. NEVER IMMERSE ELECTRICAL PARTS IN WATER.

Troubleshooting Guide

Trouble	Probable Cause	Suggested Remedy
1. Fan does not operate when the switch is on.	1a. A fuse may be blown or a circuit tripped. 1b. Connector plug from motor is not plugged in. 1c. Wiring is not connected properly. 1d. Motor has stopped operating.	1a. Replace fuse or reset circuit breaker. 1b. Turn off power to unit. Remove Grill and plug motor into receptacle in housing. Restore power to unit. 1c. Turn off power to unit. Check that all wires are connected. 1d. Replace motor.
2. Fan is operating, but air moves slower than normal.	2. Obstruction in the exhaust ducting.	2. Check for any obstructions in the ducting. The most common are bird nests in the roof cap or wall cap where the fan exhausts to the outside.
3. Fan is operating louder than normal	3a. Motor is loose. 3b. Fan blade is hitting housing of unit.	3a. Turn off power to unit. Remove grill and check that all screws are fully tightened. Restore power to unit. 3b. Call your dealer for service.

LIMITED WARRANTY

WHAT THIS WARRANTY COVERS: This product is warranted against defects in workmanship and/or materials.

HOW LONG THIS WARRANTY LASTS: This warranty extends only to the original purchaser of the product and lasts for five (5) years from the date of original purchase or until the original purchaser of the product sells or transfers the product, whichever first occurs.

WHAT AIR KING WILL DO: During the warranty period, Air King will, at its sole option, repair or replace any part or parts that prove to be defective or replace the whole product with the same or comparable model.

WHAT THIS WARRANTY DOES NOT COVER: This warranty does not apply if the product was damaged or failed because of accident, improper handling or operation, shipping damage, abuse, misuse, unauthorized repairs made or attempted. This warranty does not cover shipping costs for the return of products to Air King for repair or replacement. Air King will pay return shipping charges from Air King following warranty repairs or replacement.

ANY AND ALL WARRANTIES, EXPRESSED OR IMPLIED (INCLUDING, WITHOUT LIMITATION, ANY IMPLIED WARRANTY OF MERCHANTABILITY), LAST FIVE YEARS FROM THE DATE OF ORIGINAL PURCHASE OR UNTIL THE ORIGINAL PURCHASER OF THE PRODUCT SELLS OR TRANSFERS THE PRODUCT, WHICHEVER FIRST OCCURS AND IN NO EVENT SHALL AIR KING'S LIABILITY UNDER ANY EXPRESS OR IMPLIED WARRANTY INCLUDE (I) INCIDENTAL OR CONSEQUENTIAL DAMAGES FROM ANY CAUSE WHATSOEVER, OR (II) REPLACEMENT OR REPAIR OF ANY HOUSE FUSES, CIRCUIT BREAKERS OR RECEPTACLES. NOTWITHSTANDING ANYTHING TO THE CONTRARY, IN NO EVENT SHALL AIR KING'S LIABILITY UNDER ANY EXPRESS OR IMPLIED WARRANTY EXCEED THE PURCHASE PRICE OF THE PRODUCT AND ANY SUCH LIABILITY SHALL TERMINATE UPON THE EXPIRATION OF THE WARRANTY PERIOD.

Some states and provinces do not allow limitations on how long an implied warranty lasts, or the exclusion or limitation of incidental or consequential damages, so these exclusions or limitations may not apply to you. This warranty gives you specific legal rights. You may also have other rights which vary from state to state and province to province. Proof of purchase is required before a warranty claim will be accepted.

CUSTOMER SERVICE:

Toll-Free (800) 465-7300

Our Customer Service team is available to assist you with product questions, service center locations, and replacement parts. They can be reached Monday through Friday, 8am-4pm Eastern. Please have your model number available, as well as the type and style (located on the label inside of your product).

Please do not return product to place of purchase.

www.airkinglimited.com

PARTS FOR DISCONTINUED, OBSOLETE AND CERTAIN OTHER PRODUCTS MAY NOT BE AVAILABLE. DUE TO SAFETY REASONS, MANY ELECTRONIC COMPONENTS AND MOST HEATER COMPONENTS ARE NOT AVAILABLE TO CONSUMERS FOR INSTALLATION OR REPLACEMENT.

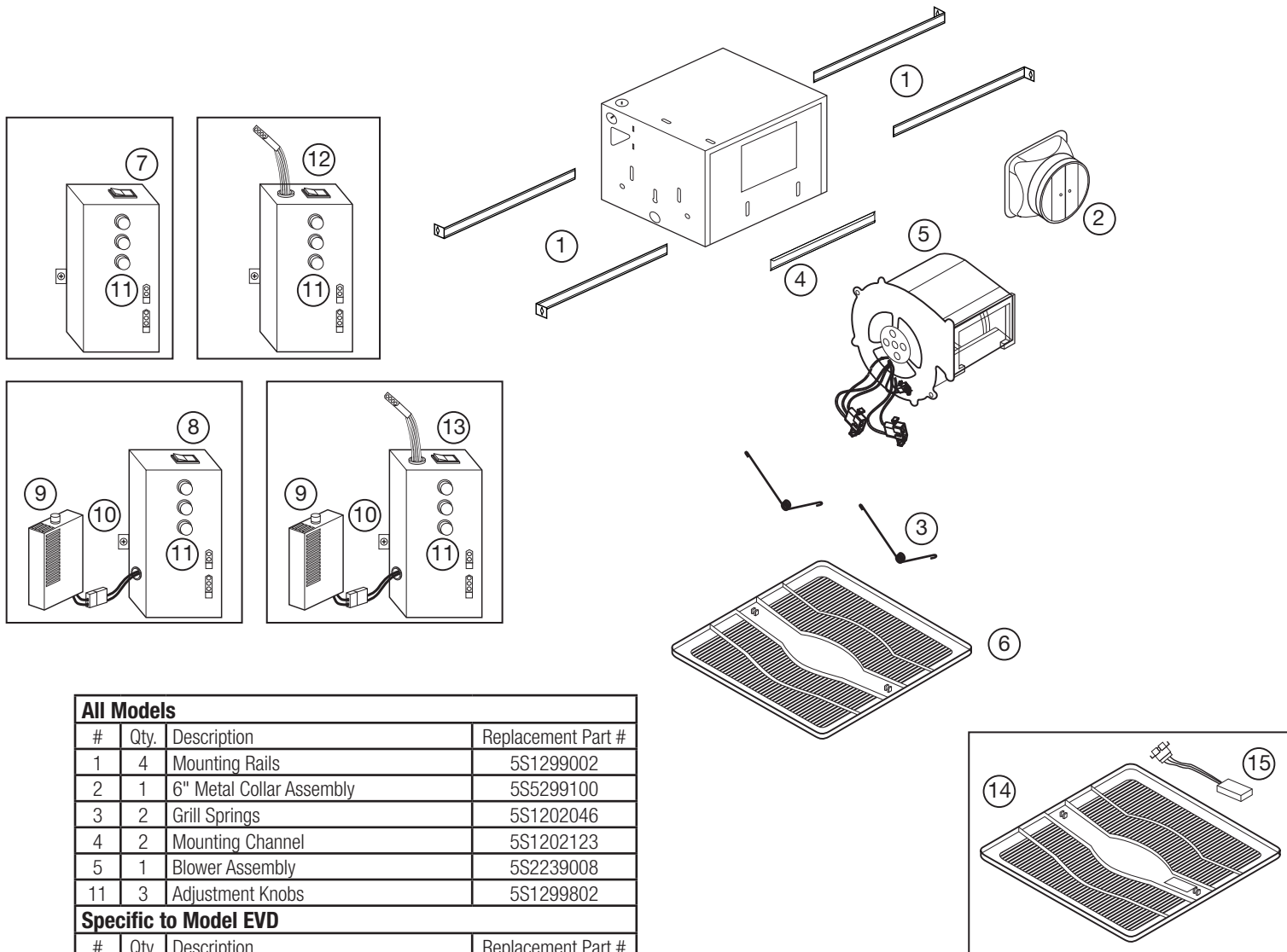
Installer: _____

Installation Date: _____

Place of Purchase: _____

Model Number: _____

REPLACEMENT PARTS DIAGRAM



All Models			
#	Qty.	Description	Replacement Part #
1	4	Mounting Rails	5S1299002
2	1	6" Metal Collar Assembly	5S5299100
3	2	Grill Springs	5S1202046
4	2	Mounting Channel	5S1202123
5	1	Blower Assembly	5S2239008
11	3	Adjustment Knobs	5S1299802
Specific to Model EVD			
#	Qty.	Description	Replacement Part #
6	1	Grill Assembly	5S1202048
7	1	Wire Compartment Assembly	5S1239871
Specific to Model EVDG			
#	Qty.	Description	Replacement Part #
12	1	Wire Compartment Assembly	5S1239872
14	1	Grill Assembly	5S1239115
15	1	Motion Sensor	5S1999100
Specific to Model EVDH			
#	Qty.	Description	Replacement Part #
6	1	Grill Assembly	5S1202048
8	1	Wire Compartment Assembly	5S1239873
9	1	Knob	5S1299802
10	1	Humidity Sensor Compartment	5S1239826
Specific to Model EVDGH			
#	Qty.	Description	Replacement Part #
9	1	Knob	5S1299802
10	1	Humidity Sensor Compartment	5S1239826
13	1	Wire Compartment Assembly	5S1239878
14	1	Grill Assembly	5S1239115
15	1	Motion Sensor	5S1999100

INSTRUCTIONS IMPORTANTES – MODE D'EMPLOI

Série EVD



Ventilateur



LIRE ET CONSERVER CES INSTRUCTIONS

LIRE SOIGNEUSEMENT AVANT DE TENTER D'ASSEMBLER, INSTALLER, OPÉRER OU DE RÉPARER LE PRODUIT DÉCRIT. PROTÉGEZ VOUS-MÊME ET LES AUTRES EN OBSERVANT TOUTE L'INFORMATION DE SÉCURITÉ. FAILLIR À SE CONFORMER AUX INSTRUCTIONS PEUT RÉSULTER EN BLESSURE PERSONNELLE GRAVE ET/OU EN DOMMAGE À LA PROPRIÉTÉ.



CONSERVER CES INSTRUCTIONS POUR RÉFÉRENCES FUTURES.

INSTRUCTIONS GÉNÉRALES DE SÉCURITÉ



Lors de l'utilisation d'appareils électriques, des précautions de base doivent toujours être suivies pour réduire les risques d'incendie, de choc électrique et de blessures corporelles, incluant ce qui suit:



AVERTISSEMENT : POUR RÉDUIRE LES RISQUES D'INCENDIE, DE CHOC ÉLECTRIQUE OU DE BLESSURES PERSONNELLES OBSERVER CE QUI SUIT:

- Utiliser cette unité seulement de la manière pour laquelle le fabricant l'a conçu. Si vous aviez des questions, veuillez contacter le fabricant.
- Avant d'effectuer un service ou de nettoyer l'unité, couper l'alimentation électrique dans le panneau de distribution et verrouiller le dispositif de déconnexion afin d'éviter que l'alimentation ne revienne accidentellement. Lorsque le dispositif ne peut être verrouillé, fixer solidement un avis d'avertissement, tel qu'une étiquette, au panneau de distribution.



AVERTISSEMENT : POUR RÉDUIRE LES RISQUES D'INCENDIE, DE CHOC ÉLECTRIQUE OU DE BLESSURES PERSONNELLES OBSERVER CE QUI SUIT:

- Le travail d'installation et le câblage électrique doivent être effectués par une(des) personne(s) qualifiée(s) en conformité avec tous les codes et normes applicables, incluant la construction relative aux incendies.
- De l'air en quantité suffisante est requis pour la bonne combustion et l'évacuation de gaz par le conduit (cheminée) provenant d'équipement de brûlage au combustible pour prévenir un refoulement. Suivre les directives du fabricant de l'équipement de chauffage et les normes de sécurité telles que celles publiées par la National Fire Protection Association (NFPA) et de la American Society for Heating, Refrigeration, and Air Conditioning Engineers (ASHRAE), et de celles des autorités locales du code.
- Lors de coupe ou de perçage des murs et plafonds, ne pas endommager le filage électrique et autres utilités cachées.



ATTENTION : POUR USAGE DE VENTILATION GÉNÉRALE EXCLUSIVEMENT. NE PAS UTILISER POUR ÉVACUER DU MATÉRIEL ET DES VAPEURS DANGEREUSES OU EXPLOSIVES.

- Les ventilateurs avec conduits doivent toujours être évacués vers l'extérieur
- Si cet appareil doit être installé au-dessus d'une baignoire ou d'une douche, il doit être marqué comme approprié pour l'application et connecté à un DDFT (disjoncteur différentiel de fuite à la terre) - circuit de dérivation protégé.
- Cette unité doit être mise à la terre
- Pour éviter des dommages aux roulements des moteurs et/ou des hélices bruyantes ou déséquilibrées, empêcher la poussière de cloison sèche, poussière de construction, etc., d'atteindre l'unité de puissance.
- Lire toutes les instructions avant d'installer ou d'utiliser le ventilateur.



AVERTISSEMENT : POUR RÉDUIRE LES RISQUES D'INCENDIE OU DE CHOC ÉLECTRIQUE, NE PAS UTILISER CE VENTILATEUR AVEC UN RÉGULATEUR DE VITESSE ÉLECTRONIQUE.



AVERTISSEMENT : NE PAS UTILISER DANS LES CUISINES



AVERTISSEMENT : LA CANALISATION DE CE VENTILATEUR À L'EXTÉRIEUR DU BÂTIMENT A UN EFFET IMPORTANT SUR LE FLUX D'AIR, LE BRUIT ET LA CONSOMMATION D'ÉNERGIE DU VENTILATEUR. UTILISEZ LA ROUTE DE CANALISATION LA PLUS COURTE ET LA PLUS DROITE POSSIBLE POUR UNE MEILLEURE PERFORMANCE, ET ÉVITEZ D'INSTALLER LE VENTILATEUR AVEC DES CONDUITS PLUS PETITS QUE RECOMMANDÉ. L'ISOLATION AUTOUR DES CONDUITS PEUT RÉDUIRE LA PERTE D'ÉNERGIE ET EMPÊCHER LE DÉVELOPPEMENT DE MOISSURES. IL SE PEUT QUE LES VENTILATEURS INSTALLÉS AVEC DES CONDUITS EXISTANTS N'ATTEIGNENT PAS LEUR DÉBIT D'AIR NOMINAL.

CONSERVER CES INSTRUCTIONS

INSTRUCTIONS D'INSTALLATION



ATTENTION : VOUS ASSURER QUE L'ALIMENTATION EST COUPÉE AU PANNEAU DE SERVICE AVANT DE COMMENCER L'INSTALLATION.

SECTION 1

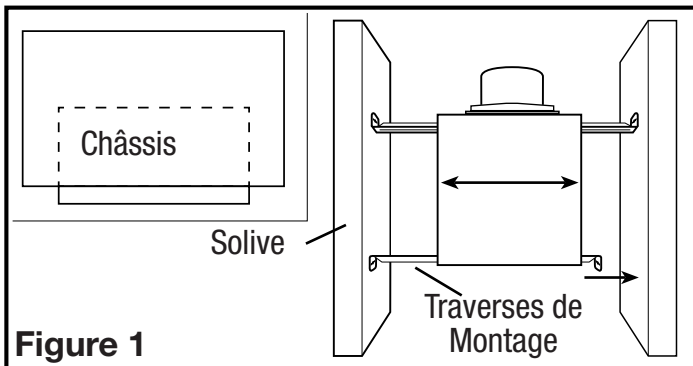
Préparation du Ventilateur d'évacuation

- Sortir le ventilateur de sa boîte et confirmer que toutes les pièces sont présentes. En plus du ventilateur d'évacuation vous devriez avoir :
 - Grille
 - Ensemble de clapet (attaché)
 - Supports de montage
 - Feuillet d'instructions / sécurité
- Choisir un emplacement pour votre ventilateur. Pour garantir la meilleure qualité d'air et performance acoustique, il est recommandé que la longueur de la canalisation et le nombre de coudes soient réduits au minimum, que le rayon de chaque coude soit aussi grand que possible pour l'installation, et que des conduits rigides isolés soient utilisés. Ce ventilateur nécessitera au moins 25,4cm (10 po) de dégagement dans le plafond ou le mur, et s'installe au travers de cloison sèche d'une épaisseur de jusqu'à 1,9cm (3/4po).
- Aucun matériel amortissant de vibrations supplémentaire n'est nécessaire pour ce ventilateur.

SECTION 2

Nouvelle Construction

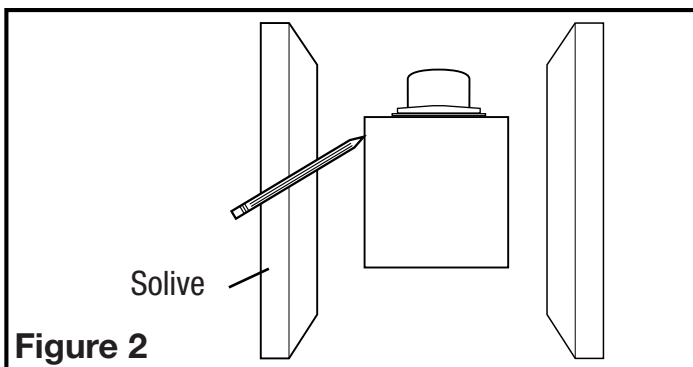
- Installez les rails dans le canal de montage sur le boîtier. Centrez le canal de montage dans les fentes sur le boîtier, puis de l'intérieur du boîtier, serrez les écrous de montage de sorte que le canal soit bien en place. Placez le boîtier à côté de la solive. Aligner le châssis pour qu'il soit de niveau avec le plafond fini. Fixez les extrémités des rails aux solives avec des vis ou des clous (non inclus) et glissez le boîtier dans la position finale (Figure 1).



SECTION 3

Construction Existante

- Placer le boîtier en place entre les solives et tracez un contour sur le matériel du plafond (Figure 2). Mettez le boîtier de côté et découpez l'ouverture, en faisant attention de ne pas couper ou endommager les installations électriques ou d'autres utilités masquées. Installez les rails dans le canal de montage sur le boîtier. Centrez le canal de montage dans les fentes sur le boîtier, puis de l'intérieur du boîtier serrez les écrous de montage de sorte que le canal soit bien en place. Positionnez le boîtier dans le trou préalablement découpé de sorte qu'il soit aligné avec le plafond fini. Fixez les extrémités des rails aux solives (Figure 1).



SECTION 4

Conduits

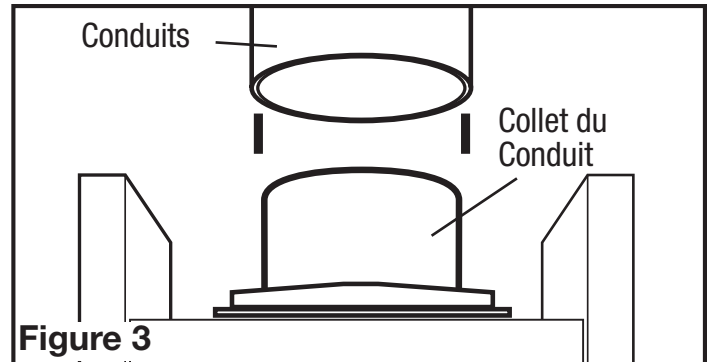
NOTE: UN CONDUIT PLUS RIGIDE DE 6 PO OU PLUS EST RECOMMANDE POUR UNE MEILLEURE PERFORMANCE.



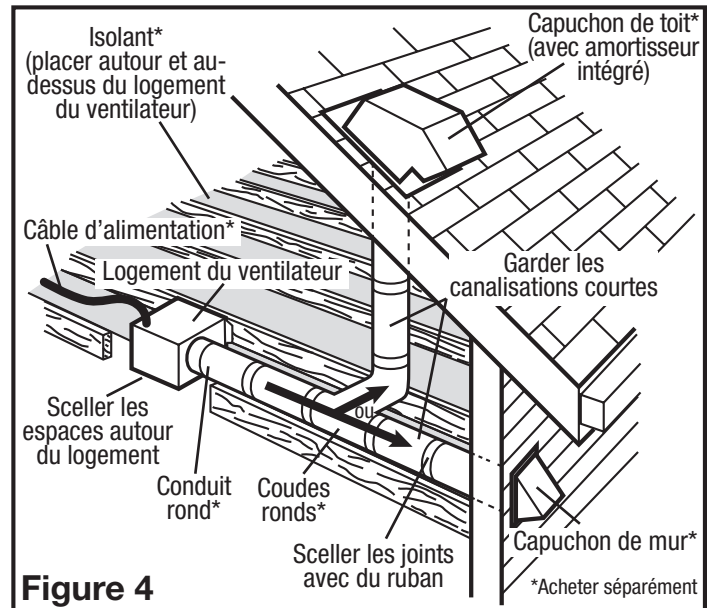
ATTENTION : TOUS LES CONDUITS DOIVENT ÊTRE CONFORMES AUX CODES DU BÂTIMENT LOCAUX ET NATIONAUX.

REMARQUE : La canalisation de ce ventilateur à l'extérieur du bâtiment a un effet important sur le flux d'air, le bruit et la consommation d'énergie du ventilateur. Utilisez la route de canalisation la plus courte et la plus droite possible pour une meilleure performance, et évitez d'installer le ventilateur avec des conduits plus petits que recommandé. L'isolation autour des conduits peut réduire la perte d'énergie et empêcher le développement de moisissures. Il se peut que les ventilateurs installés avec des conduits existants n'atteignent pas leur débit d'air nominal.

- Raccorder le conduit au collet de conduit du ventilateur (Figure 3). Fixer en place à l'aide de ruban ou de serre-joint. Toujours évacuer le ventilateur vers l'extérieur au travers de chapeau mural ou de toit. Il est recommandé que les raccords d'extrémité basse de restriction sont utilisées.



- Assurez-vous que les joints des conduits et les pénétrations extérieures sont scellés avec du mastic ou tout autre matériau similaire pour créer un passage d'air étanche afin de minimiser la perte ou le gain de chaleur et réduire le risque de condensation. Placez / enveloppez l'isolant autour du conduit et / ou ventilateur afin de minimiser la possibilité d'accumulation de condensation à l'intérieur du conduit, ainsi que la perte ou le gain de chaleur (Figure 4).



SECTION 5

Câblage



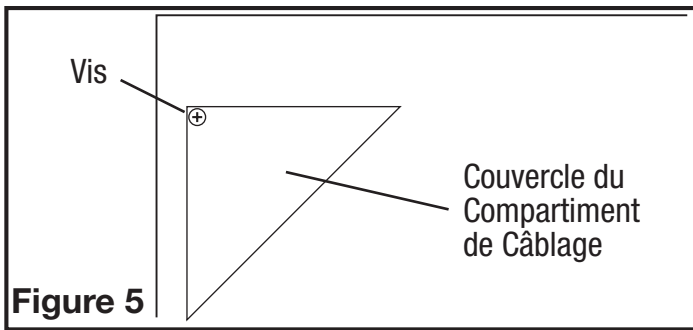
ATTENTION : VOUS ASSURER QUE L'ALIMENTATION EST COUPÉE AU PANNEAU DE SERVICE AVANT DE COMMENCER L'INSTALLATION.



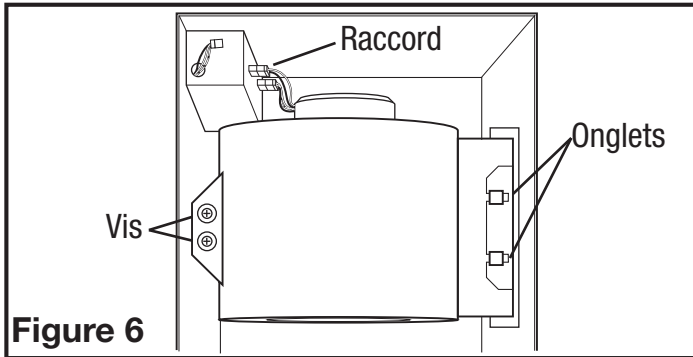
ATTENTION : TOUTES LES CONNEXIONS DOIVENT ÊTRE FAITES EN CONFORMITÉ AVEC LES CODES ÉLECTRIQUES LOCAUX OU NATIONAUX. SI VOUS N'ÊTES PAS FAMILIER AVEC LES MÉTHODES D'INSTALLATION DE CÂBLAGE ÉLECTRIQUE, RECORREZ AUX SERVICES D'UN ÉLECTRICIEN QUALIFIÉ.

REMARQUE: Cette unité possède un panneau d'accès latéral pour le câblage qui ne requiert pas l'enlèvement de l'assemblage de la soufflante du ventilateur. Si vous choisissez de raccorder l'unité par l'intérieur, vous aurez besoin d'enlever l'assemblage de la soufflante et le compartiment de câblage intérieur. Les deux méthodes sont également efficaces.

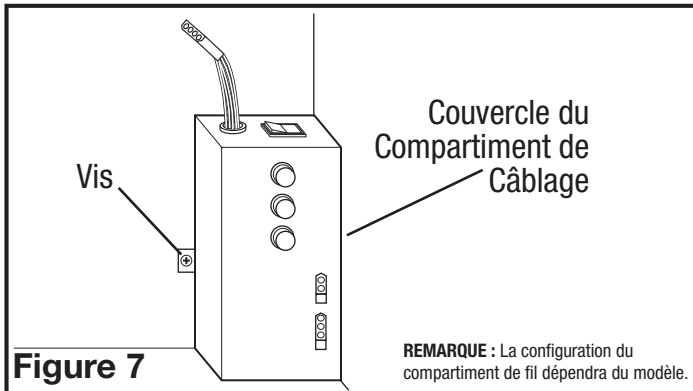
- Compartiment de Câblage Extérieur : Enlever le vis du couvercle du compartiment à câblage et mettre ce couvercle dans un endroit fiable (Figure 5).



- 1b. Compartiment de Câblage Intérieur: Enlever les trois vis retenant en place l'assemblage de la soufflante et soulever pour sortir l'assemblage hors du châssis (Figure 6). Enlever la vis (ou les vis) du couvercle du compartiment à câblage et mettre ce couvercle dans un endroit fiable (Figure 7).

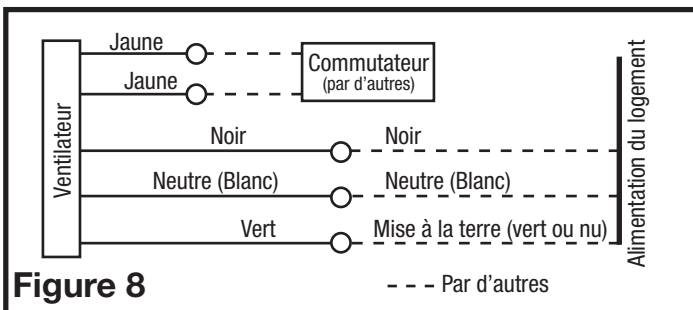


REMARQUE : Si le raccord du moteur de ventilateur est raccordé au réceptacle du châssis, le débrancher afin que l'assemblage de la soufflante soit complètement enlevé.



Modèles standards

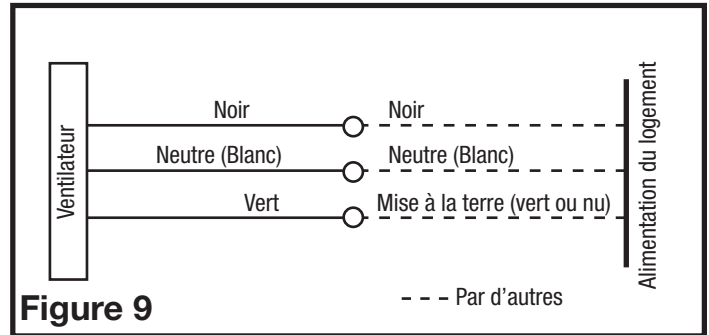
2. **Ventilation continue:** Pour les ventilateurs à deux vitesses, raccordés pour une ventilation continue connectez le fil blanc du ventilateur au fil blanc (neutre) de la source d'alimentation. Connectez le fil de terre de la maison au fil vert du boîtier du ventilateur. Connectez le fil noir du ventilateur au fil noir (chaud) de la source d'alimentation. Relier le fil jaune chaud du ventilateur à l'entrée de l'interrupteur. Connectez le deuxième fil jaune du ventilateur au côté de sortie du commutateur. Fermer l'interrupteur changera la vitesse de normale à haute vitesse (Figure 8). Un interrupteur de dérogation manuelle (non inclus) peut être ajouté en ligne avec la ligne noire (chaude) pour fournir une fonction d'arrêt manuel du ventilateur. Si cet interrupteur est placé en position Off, aucune des fonctions de l'appareil ne fonctionnera.



REMARQUE : Le fil jaune peut contenir un écrou de fil à sertir qui devra être coupé et le fil dénudé.

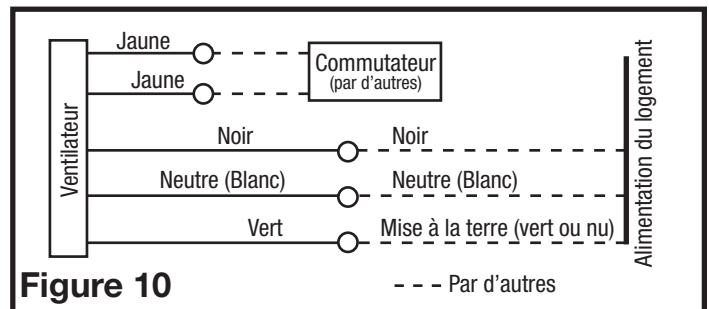
Modèles avec détection de mouvement

3. Pour les ventilateurs à deux vitesses, raccordés pour une ventilation continue, connectez le fil blanc du ventilateur au fil blanc (neutre) de la source d'alimentation. Connectez le fil de terre de la maison au fil vert du boîtier du ventilateur. Connectez le fil noir du ventilateur au fil noir (chaud) de la source d'alimentation. Le ventilateur fonctionnera à faible vitesse, en continu, et augmentera à haute vitesse lorsqu'un mouvement est détecté (Figure 9). Un interrupteur de dérogation manuelle (non inclus) peut être ajouté en ligne avec la ligne noire (chaude) pour fournir une fonction d'arrêt manuel du ventilateur. Si cet interrupteur est placé en position Off, aucune des fonctions de l'appareil ne fonctionnera.



Modèles avec détection d'humidité

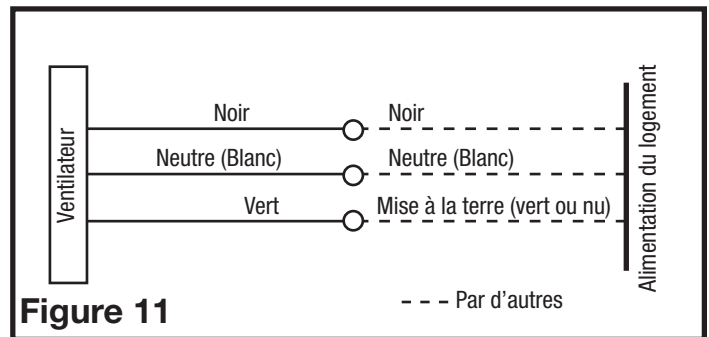
4. Pour les ventilateurs à deux vitesses, raccordés pour une ventilation continue, connectez le fil blanc du ventilateur au fil blanc (neutre) de la source d'alimentation. Connectez le fil de terre de la maison au fil vert du boîtier du ventilateur. Connectez le fil noir du ventilateur au fil noir (chaud) de la source d'alimentation. Le ventilateur fonctionnera à faible vitesse, en continu, et augmentera à haute vitesse sur une hausse de l'humidité. Utilisant un interrupteur correctement mis à la terre, connectez 1 fil jaune de chaque côté de l'interrupteur. Fermer l'interrupteur changera la vitesse de normale à haute vitesse (Figure 10). Un interrupteur de dérogation manuelle (non inclus) peut être ajouté en ligne avec la ligne noire (chaude) pour fournir une fonction d'arrêt manuel du ventilateur. Si cet interrupteur est placé en position Off, aucune des fonctions de l'appareil ne fonctionnera.



REMARQUE : Le fil jaune peut contenir un écrou de fil à sertir qui devra être coupé et le fil dénudé.

Modèles avec détection d'humidité et mouvement

5. Pour les ventilateurs à deux vitesses, raccordés pour une ventilation continue, connectez le fil blanc du ventilateur au fil blanc (neutre) de la source d'alimentation. Connectez le fil de terre de la maison au fil vert du boîtier du ventilateur. Connectez le fil noir du ventilateur au fil noir (chaud) de la source d'alimentation (Figure 11). Un interrupteur de dérogation manuelle (non inclus) peut être ajouté en ligne avec la ligne noire (chaude) pour fournir une fonction d'arrêt manuel du ventilateur. Si cet interrupteur est placé en position Off, aucune des fonctions de l'appareil ne fonctionnera.



6. Regrouper soigneusement les fils à l'intérieur du compartiment pour le raccordement et replacer le couvercle du compartiment en le fixant avec la vis qui fut enlevée précédemment.

REMARQUE : Les fils du réceptacle du ventilateur pourraient nécessiter d'être tirés à l'extérieur du compartiment pour le raccordement. Tirer uniquement les trois fils lâches à l'extérieur du compartiment. Des fils additionnels y sont présents.

REMARQUE : L'unité doit être mise à la terre selon les codes locaux et nationaux.

SECTION 6

Complétion de l'installation

1. Il est recommandé d'utiliser un scellant approprié pour le contact avec les matériaux de construction actuels et pour les besoins de la température de l'installation, afin d'empêcher les fuites d'air à partir des espaces non conditionnés. S'il y a des grands écarts entre le boîtier de l'appareil et le plafond, du matériel supplémentaire (tige de support, matériel de plafond) peut être nécessaire.

NOTE : Ce ventilateur est conçu pour le contact d'isolation directe (type IC). Il est aussi recommandé que ce ventilateur soit complètement recouvert par l'isolation afin de réduire la perte de chaleur ou de gagner de l'espace inconditionné.

2. Si l'assemblage de la soufflante du ventilateur a été enlevé durant le processus de raccordement, réinstallez la soufflante en inversant les instructions à l'étape 1b de la Section 5 Câblage.
- 3a. **MODÈLES STANDARDS:** branchez les câbles à 2 broches du ventilateur et les câbles à 3 broches de connexion rapide du moteur dans la prise correspondante située sur le couvercle du compartiment de fil. Ces câbles ne s'adaptent que dans un sens dans les réceptacles (Figure 12).

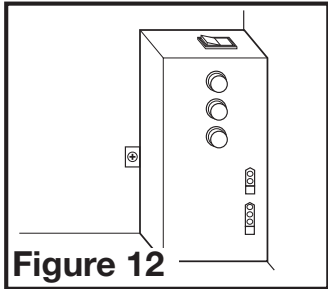


Figure 12

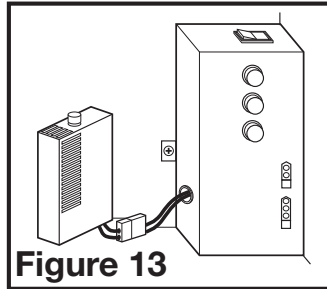


Figure 13

- 3b. **MODÈLES DÉTECTION D'HUMIDITÉ:** branchez les câbles à 2 broches du ventilateur et les câbles à 3 broches de connexion rapide du moteur dans la prise correspondante située sur le couvercle du compartiment de fil. Ces câbles ne s'adaptent que dans un sens dans les réceptacles (Figure 13).

- 3c. **MODÈLES DÉTECTION DE MOUVEMENT:** Branchez les cordons du moteur du ventilateur à 2 et 3 broches de connexion rapide dans les connecteurs situés sur le côté du couvercle du compartiment de fil. Branchez le cordon à 3 broches de connexion rapide à partir du capteur de mouvement sur le gril dans le connecteur sortant de la partie supérieure du compartiment de fil. Ces cordons ne peuvent être insérés que dans un seul sens dans les connecteurs (Figure 14).

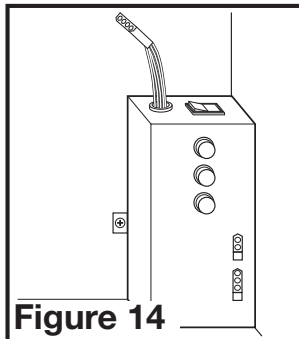


Figure 14

- 3d. **MODÈLES AVEC DÉTECTION D'HUMIDITÉ ET DÉTECTION DE MOUVEMENT:** Branchez les cordons du moteur du ventilateur à 2 et 3 broches de connexion rapide dans les connecteurs situés sur le côté du couvercle du compartiment de fil. Branchez le cordon à 4 broches de connexion rapide à partir du capteur de mouvement sur le gril dans le connecteur sortant de la partie supérieure du compartiment de fil. Ces cordons ne peuvent être insérés que dans un seul sens dans les connecteurs (Figure 15).

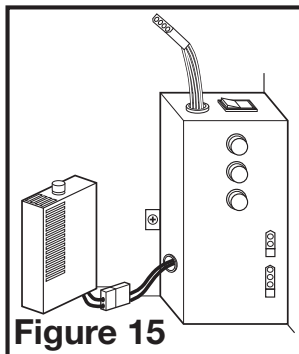


Figure 15

4. **VITESSE VARIABLE :** Décidez d'abord si vous aurez besoin de plus ou de moins de 65 CFM de ventilation à vitesse lente. Si vous avez besoin de moins de 65 CFM, placez l'interrupteur à bascule de la limite inférieure de CFM sur une portée de 30-60. Si vous avez besoin de plus de 65 CFM, placez l'interrupteur à bascule de la limite inférieure de CFM sur une portée de 70-120. Une fois que vous avez décidé sur le flux d'air minimum requis, le niveau de CFM à basse vitesse du ventilateur peut être ajusté à l'aide du bouton de réglage inférieur (30-60 CFM) ou du bouton de réglage du milieu (70-120 CFM). Le niveau de CFM à haute vitesse souhaité peut être ajusté en utilisant le plus supérieur bouton de réglage (Figure 16).

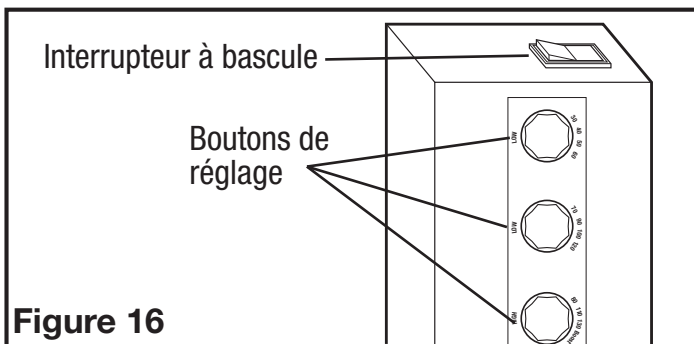


Figure 16

- 5a. **MODÈLES STANDARDS ET AVEC DÉTECTION D'HUMIDITÉ:** Installez la grille en pressant ensemble les deux extrémités des ressorts et en les installant dans les fentes du châssis du ventilateur. Pousser la grille en position (Figure 17).

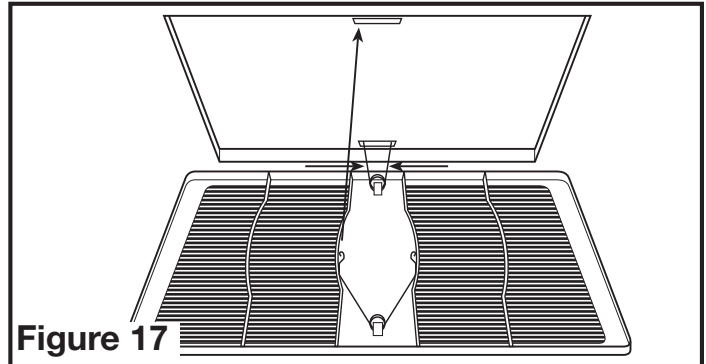


Figure 17

- 5b. **MODÈLES DÉTECTION DE MOUVEMENT:** Installez la grille en pressant le ressort le plus loin possible du détecteur de mouvement et installez-le dans la fente la plus éloignée du compartiment de fil sur le logement du ventilateur. Attachez le cordon de 3 broches à connexion rapide à partir du capteur de mouvement sur le gril soit au câblage installé à l'étape 2a (les modèles à une vitesse) ou au connecteur de la partie supérieure du compartiment de fil (modèles à deux vitesses). Ce cordon ne s'adapte que d'une seule façon dans le connecteur. Installez l'autre ressort en place et poussez la grille en position (Figure 18).

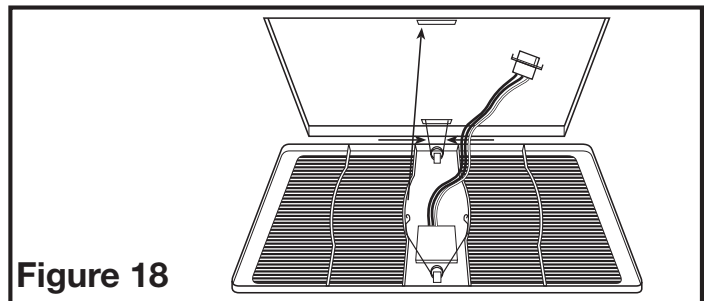


Figure 18

6. Restaurer l'alimentation et tester votre installation.

SECTION 7

Programmation du capteur d'occupation

- 1a. **Réglage du délai d'occupation.** Ceci va régler la durée de fonctionnement à haute vitesse du ventilateur, après que la salle devient vide. Localisez le détecteur de mouvement sur le gril du ventilateur et appuyez sur le bouton 2 fois. Le LED sur le capteur clignotera alors le nombre de fois pour indiquer le réglage actuel. Ceci sera répété 3 fois :

1 fois = 30 secondes	6 fois = 12,5 minutes
2 fois = 2,5 minutes	7 fois = 15 minutes
3 fois = 5 minutes	8 fois = 17,5 minutes
4 fois = 7,5 minutes	9 fois = 20 minutes
5 fois = 10 minutes*	

- 1b. Pour ajuster le réglage, tandis que le capteur continue de clignoter à partir de l'étape 1a, appuyez sur le bouton le nombre de fois qui correspond à la quantité de temps que vous désirez, par exemple 3 fois définit le délai de 5 minutes (voir les numéros à l'étape 1). Le capteur clignote alors le nombre de fois pour le nouveau paramètre 3 fois avant de quitter pour revenir au mode de programmation.

- 2a. **Réglage du temps minimum de fonctionnement.** Ceci définit la durée minimale de fonctionnement à haute vitesse du ventilateur une fois qu'un mouvement est détecté dans la salle. Cela fonctionne en conjonction avec la fonction de délai d'occupation indiquée dans les étapes 1a et 1b. Par exemple, si vous réglez le temps minimum de fonctionnement à 15 minutes et un délai de 5 minutes, le ventilateur fonctionnera pendant au moins 15 minutes, puis 5 minutes supplémentaires.

REMARQUE : Il s'agit d'un minimum de temps que le ventilateur fonctionne. Si la salle est occupée plus longtemps, le ventilateur continuera de fonctionner jusqu'à ce que la salle est vide et le temps du délai d'occupation s'est écoulé.

- 2b. Localisez le détecteur de mouvement sur le gril du ventilateur et appuyez sur le bouton 10 fois. Le LED sur le capteur clignote alors le nombre de fois pour indiquer le réglage actuel. Ceci sera répété 3 fois:

1 fois = 0 minutes	4 fois = 45 minutes
2 fois = 15 minutes*	5 fois = 60 minutes
3 fois = 30 minutes	

- 2c. Pour ajuster le réglage, tandis que le capteur continue de clignoter de l'étape 2b, appuyez sur le bouton le nombre de fois qui correspond à la quantité de temps que vous désirez, par exemple 3 fois fixe le temps minimum de fonctionnement à 30 minutes (voir les numéros à l'étape 2b). Le capteur clignote alors le nombre de fois pour le nouveau paramètre 3 fois avant de quitter pour revenir au mode de programmation.

3. Une fois que tous les réglages ont été faits, le capteur retournera au mode de détection et le LED clignotera lorsque l'occupation de la salle est détectée.

* Défaut de fabrication

SECTION 8

Réglage de l'humidostat

Ce ventilateur peut être équipé d'un capteur d'humidité qui allume automatiquement le ventilateur (ou hausse la vitesse pour les modèles à deux vitesses), lorsque l'humidité est supérieure au point de consigne (ou baisse la vitesse pour les modèles à deux vitesses) lorsque l'humidité est inférieure ou égale au point de consigne. Si le ventilateur fonctionne trop longtemps ou pas assez, vérifiez d'abord le point de consigne du capteur d'humidité. Dans le cas où le niveau d'humidité ambiante de la pièce s'élève plus haut que le niveau pré-réglé, le ventilateur s'allumera, même si la salle n'est pas occupée. Ceci aide à éviter les conditions qui mènent à la croissance de moisissures.



ATTENTION : VOUS ASSURER QUE L'ALIMENTATION EST COUPÉE AU PANNEAU DE SERVICE AVANT DE COMMENCER L'INSTALLATION.

1. Pour régler le niveau désiré d'humidité de la salle, enlevez la grille et localisez le cadran de l'humidostat situé sur le couvercle du compartiment de fil.
2. Réglez le cadran à l'humidité relative que vous voulez que le ventilateur maintienne, habituellement entre 50% et 80%. Les climats humides exigeront des réglages plus élevés que les climats secs. Lorsque le niveau d'humidité de la salle est inférieur à ce réglage, le ventilateur restera éteint (ou baisse la vitesse pour les modèles à deux vitesses). Lorsque le niveau d'humidité monte à ce réglage, le ventilateur s'allumera (ou hausse la vitesse pour les modèles à deux vitesses) et fonctionnera jusqu'à ce que le niveau d'humidité tombe au-dessous de ce réglage.
3. Réinstaller la grille et rétablir le courant.

SECTION 9

Utilisation et entretien



ATTENTION : VOUS ASSURER QUE L'ALIMENTATION EST COUPÉE AU PANNEAU DE SERVICE AVANT DE COMMENCER L'INSTALLATION.

1. **Nettoyage de la grille :** Retirer la grille et utiliser un détergent doux, tel que du liquide pour la vaisselle, puis sécher à l'aide d'un chiffon doux. NE JAMAIS UTILISER D'ABRASIF OU DE POUDRE À RÉCURER. Sécher complètement la grille avant de la réinstaller. Pour réinstaller la grille, vous référer à la **Section 6 - Complétion de l'installation**.
2. **Nettoyage de l'assemblage du ventilateur :** Nettoyer toutes les parties à l'aide d'un chiffon sec ou passer délicatement l'aspirateur sur le ventilateur. NE JAMAIS IMMERGER LES PARTIES ÉLECTRIQUES DANS L'EAU.

Guide de dépannage

Trouble	Cause Possible	Solution Suggérée
1. Le ventilateur ne fonctionne pas lorsque l'interrupteur est à la position en marche.	1a. Un fusible peut être grillé ou un disjoncteur peut être déclenché. 1b. La fiche de raccord du moteur n'est pas connectée. 1c. Le câblage n'est pas raccordé correctement. 1d. La moteur est terminée	1a. Remplacer le fusible ou réinitialiser le disjoncteur. 1b. Couper l'alimentation à l'unité. Retirer la grille et brancher le moteur dans le réceptacle dans le cabinet. Remettre l'alimentation sur l'unité. 1c. Couper l'alimentation de l'unité. Vérifier que tous les fils sont raccordés. 1d. Remplacez la moteur
2. Le ventilateur fonctionne, mais l'air circule plus lentement que la normale.	2. Obstruction dans les conduits d'évacuation.	2. Vérifier pour toute obstruction dans les conduits. Les plus courantes sont des nids d'oiseau dans le chapeau de toit ou mural là où le ventilateur s'évacue vers l'extérieur.
3. Le ventilateur fonctionne de manière plus bruyante que la normale.	3a. Le moteur est lâche. 3b. L'hélice du ventilateur frotte contre le cabinet de l'unité.	3a. Couper l'alimentation à l'unité. Retirer la grille et vérifier que toutes les vis sont complètement serrées. Remettre l'alimentation sur l'unité. 3b. Appeler votre marchand pour un service.

GARANTIE LIMITÉE

QUE COUVRE CETTE GARANTIE : Ce produit est garanti contre tout vice de fabrication ou de matière.

COMBIEN DE TEMPS CETTE GARANTIE DURE : Cette garantie se rapporte seulement à l'acheteur original du produit et dure pendant cinq (5) années de la date de l'achat original ou jusqu'à ce que l'acheteur original du produit vend ou transfère le produit, celui qui se produit en premier.

QUE FERA AIR KING : Au cours de la période de garantie, Air King, à son choix, réparera ou remplacera n'importe quelle partie ou pièces qui s'avèrent défectueuses ou remplacera le produit entier par le même modèle ou un modèle comparable.

CE QUE CETTE GARANTIE NE COUVRE PAS : Cette garantie ne s'applique pas si le produit était endommagé ou arrête de fonctionner en raison d'un accident, d'une mauvaise manipulation ou opération, de dommages d'expédition, d'abus, de mauvaise utilisation, de réparation faite ou tentées non autorisées. Cette garantie ne couvre pas les coûts d'expédition pour le retour des produits à Air King pour la réparation ou le remplacement. Air King payera les frais d'expédition de retour de Air King après les réparations ou le remplacement de garantie.

TOUTES LES GARANTIES, EXPRESSES OU TACITES (COMPRENANT, SANS LIMITATION, TOUTE GARANTIE TACITE DE VALEUR MARCHANDE), DURENT CINQ ANNÉES DE LA DATE DE L'ACHAT ORIGINAL OU JUSQU'À CE QUE L'ACHETEUR ORIGINAL DU PRODUIT VEND OU TRANSFÈRE LE PRODUIT, CELUI QUI SE PRODUIT EN PREMIER ET DANS AUCUN CAS AIR KING N'ASSUME AUCUNE RESPONSABILITÉ EXPRESSE OU TACITE POUR (I) DES DOMMAGES ACCIDENTELS OU INDIRECTS OU (II) LE REMPLACEMENT OU LA RÉPARATION DE TOUS FUSIBLES, DISJONCTEURS OU RÉCEPTACLES DE MAISON. MALGRÉ N'IMPORTE QUOI À L'EFFET CONTRAIRE, DANS AUCUN CAS LA RESPONSABILITÉ D'AIR KING, SOUS UNE GARANTIE EXPRESSE OU TACITE, NE DÉPASSERA LE PRIX D'ACHAT DU PRODUIT ET UNE TELLE RESPONSABILITÉ SE TERMINERA AVEC L'EXPIRATION DE LA PÉRIODE DE GARANTIE.

Certains états et provinces ne permettent pas les limitations de la période de garantie, ou l'exclusion ou la restriction des dommages accidentels ou indirects, et, par conséquent, les présentes restrictions ne peuvent pas s'appliquer. La présente garantie vous donne des droits légaux spécifiques et peut-être certains autres droits qui peuvent varier selon la province. La preuve d'achat est exigée avant qu'une réclamation de garantie ne soit acceptée.

SERVICE À LA CLIENTÈLE :

Sans frais (800) 465-7300

Notre équipe de service à la clientèle est disponible pour vous aider avec des questions sur le produit, les adresses des centres de service, et les pièces de rechange. Vous pouvez la rejoindre, du lundi au vendredi, de 8h:00 à 16h:00 HNE. Veuillez avoir le numéro du modèle disponible, ainsi que le genre et le style (qui se trouvent sur l'étiquette à l'intérieur de votre produit). Veuillez ne pas renvoyer le produit à l'endroit de l'achat.

www.airkinglimited.com

IL SE PEUT QUE LES PIÈCES POUR LES PRODUITS DISCONTINUÉS, OBSOÈTES ET AUTRES PRODUITS NE SOIENT PAS DISPONIBLES. POUR DES RAISONS DE SÛRETÉ, BEAUCOUP DE COMPOSANTS ÉLECTRONIQUES ET LA PLUPART DES COMPOSANTS DES CHAUFFAGES NE SONT PAS À LA DISPOSITION DES CONSOMMATEURS POUR L'INSTALLATION OU LE REMPLACEMENT.

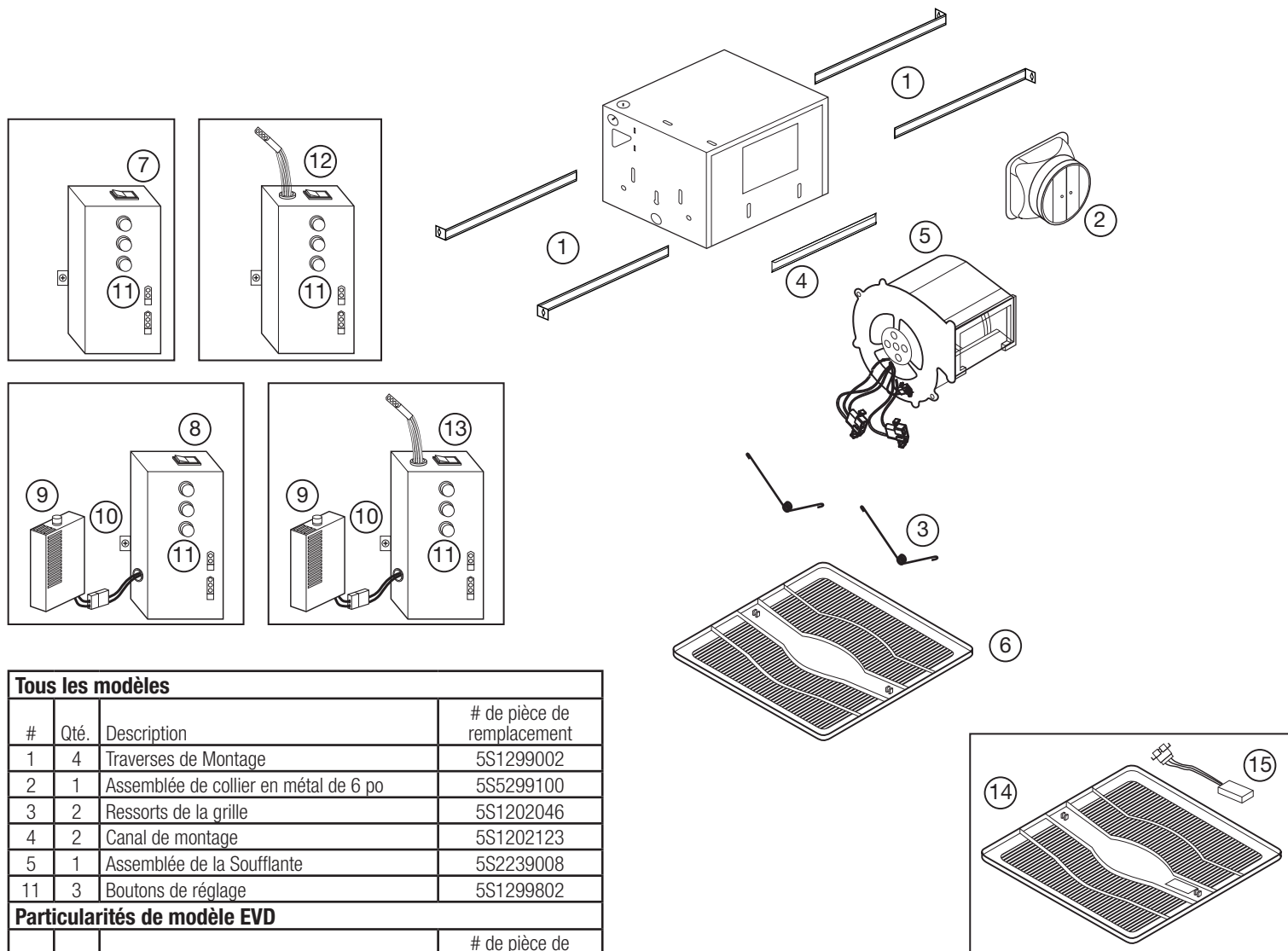
Installateur : _____

Date d'installation : _____

Endroit de l'achat : _____

Numéro de modèle : _____

DIAGRAMME DES PIÈCES DE REMPLACEMENT



Tous les modèles

#	Qté.	Description	# de pièce de remplacement
1	4	Traverses de Montage	5S1299002
2	1	Assemblée de collier en métal de 6 po	5S5299100
3	2	Ressorts de la grille	5S1202046
4	2	Canal de montage	5S1202123
5	1	Assemblée de la Soufflante	5S2239008
11	3	Boutons de réglage	5S1299802

Particularités de modèle EVD

#	Qté.	Description	# de pièce de remplacement
6	1	Assemblée de Grille	5S1202048
7	1	Assemblée du compartiment du fil	5S1239871

Particularités de modèle EVDG

#	Qté.	Description	# de pièce de remplacement
12	1	Assemblée du compartiment du fil	5S1239872
14	1	Assemblée de Grille	5S1239115
15	1	Détecteur de mouvement	5S1999100

Particularités de modèle EVDH

#	Qté.	Description	# de pièce de remplacement
6	1	Assemblée de Grille	5S1202048
8	1	Assemblée du compartiment du fil	5S1239873
9	1	Bouton	5S1299802
10	1	Compartiment du capteur d'humidité	5S1239826

Particularités de modèle EVDGH

#	Qté.	Description	# de pièce de remplacement
9	1	Bouton	5S1299802
10	1	Compartiment du capteur d'humidité	5S1239826
13	1	Assemblée du compartiment du fil	5S1239878
14	1	Assemblée de Grille	5S1239115
15	1	Détecteur de mouvement	5S1999100