

LIMITED WARRANTY

To the consumer, Guardian Technologies LLC warrants this product to be free of defects in materials or workmanship commencing upon the date of the original purchase. Save your original sales receipt to validate start of warranty period. Warranty is not valid without receipt.

If this product should become defective within the warranty period, we will repair or replace any defective parts free of charge. All warranty repairs must be completed by Guardian Technologies LLC. This warranty **does not cover unauthorized repairs**. The warranty does not include unusual wear, damage resulting from accident, or unreasonable use of the product. This warranty only covers the product when used with **genuine Guardian Technologies accessories**. This warranty covers product that was purchased from authorized distributors. This warranty gives you specific legal rights and you may also have other rights (other rights may vary from state to state in the U.S.A.)

The product warranty registration can be completed online at www.guardiantechnologies.com. We consider the registration process important to ensuring superior service to our customers, however submitting the warranty registration is optional and does not affect your rights to utilize this warranty according to the conditions stated above. To submit product under warranty the complete machine must be delivered pre-paid to Guardian Technologies LLC. Please include complete information including: the problem, the model number of the product, the day of purchase, and a copy of the original sales receipt along with your name, address, and telephone (email optional). Address returns to the attention of: Customer Service, at the address below. Additional questions or comments can be made toll free to the number listed below.

**Guardian Technologies LLC
26251 Bluestone Blvd.
Euclid, Ohio 44132
1.866.603.5900**

www.guardiantechnologies.com

Additional copies of the instruction manual can be obtained by accessing and printing directly from our website or calling customer service.

The *Bluetooth*® word mark and logos are registered trademarks owned by the Bluetooth SIG, Inc. and any use of such marks by Guardian Technologies is under license. Other trademarks and trade names are those of their respective owners.

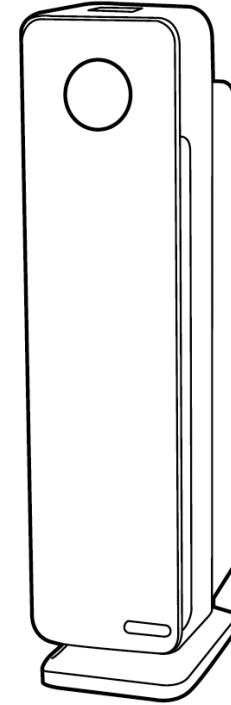


Guardian Technologies LLC
26251 Bluestone Blvd. • Euclid, OH 44132
1.866.603.5900 • www.guardiantechnologies.com

©2016 Guardian Technologies LLC



USE & CARE INSTRUCTIONS



Wifi & Bluetooth® enabled Smart Air Purifier

Model No. CDAP4500
3-Year Limited Warranty
www.guardiantechnologies.com
1.866.603.5900
REV0716

English E - 1
French F - 1
Spanish S - 1

Date Purchased
month _____
year _____

Replacement Filter: Filter  (FLT4825)
To Order Contact Customer Service
1.866.603.5900 or log on to www.guardiantechnologies.com

Note: Do not void warranty – use GENUINE GuardianTechnologies replacement parts only.

READ AND SAVE THESE INSTRUCTIONS WARNINGS

Failure to comply with the warnings listed below may result in electric shock or serious injury.



This product should be used only in accordance with the specifications outlined in this manual. Usage other than what has been specified here may result in serious injury.

When using electrical appliances, basic precautions should always be followed to reduce the risk of fire, electric shock and injury to persons, including the following:

- Read all instructions before using appliance.
- **IMPORTANT** - This appliance has a polarized plug (one blade is wider than the other). To reduce the risk of electric shock, this plug is intended to fit in a polarized outlet only one way. If the plug does not fit fully in the outlet, reverse the plug. If it still does not fit, contact a qualified electrician. Do not attempt to defeat this safety feature.
- To avoid fire or shock hazard, plug the appliance directly into a 120V AC electrical outlet.
- Keep the cord out of heavy traffic areas. To avoid fire hazard, NEVER put the cord under rugs, near heat registers, radiator, stoves or heaters.
- To protect against electrical hazards, DO NOT immerse in water or other liquids. Do not use near water.
- Children cannot recognize the hazards associated with the usage of electrical appliances. For this reason, always supervise children when they are near the unit.
- Always unplug the air purifier before moving it, opening the grill, changing filters, cleaning or whenever the air purifier is not in use. Be sure to pull by the plug and not the cord.
- NEVER drop or insert any object into any openings.
- DO NOT run cord under carpeting.
- DO NOT cover cord with throw rugs, runners, or similar coverings.
- DO NOT route cord under furniture or appliances. Arrange cord away from traffic area and where it will not be tripped over.
- DO NOT operate any appliance with a damaged cord or plug, if motor fan fails to rotate, after the appliance malfunctions, or if it has been dropped or damaged in any manner. Call Customer Service at 1.866.603.5900 for assistance.
- Use appliance only for intended household use as described in this manual. Any other use not recommended by the manufacturer may cause fire, electric shock or injury to persons.
- DO NOT use outdoors.
- DO NOT place anything on top of unit.
- NEVER block the air openings, grills/outlets or place on a soft surface such as a bed or sofa, as this could cause the unit to tip over, blocking the air intake or outtake opening.

WARNING: The cords, wires and/or cables supplied with this product contain chemicals, including lead or lead compounds, known to the state of California to cause cancer and birth defects or other reproductive harm. Wash hands after using.

(California code of regulations Proposition 65)

READ AND SAVE THESE INSTRUCTIONS WARNINGS

- DO NOT attempt to repair or adjust any electrical or mechanical functions on this unit. Doing so will void your warranty. The inside of the unit contains no user serviceable parts. All servicing should be performed by qualified personnel only.
- **WARNING:** To reduce the risk of fire or electric shock, do not use this fan with any solid-state speed control device.
- **WARNING:** Skin or eye damage may result from directly viewing the light produced by the lamp in this apparatus. Always disconnect power before replacing lamp or servicing. Replace Lamp With Lamp Model No. LB4000, Manufactured by Guardian Technologies.
- Always unplug the unit before cleaning or servicing in any way.
- **CAUTION:** Do NOT use gasoline, benzene, thinner, harsh cleaners, etc. on and/or in the unit while cleaning as they will damage the product. NEVER use alcohol or other solvents.

The 8 hour TWA Ozone for this product is 0.001 ppmv when tested in a 30 m³ chamber. The product complies with the maximum allowable concentration of ozone of 0.050 parts per million by volume (ppmv) in a 24-hour period. The Health Canada Guideline 2010 recommends that the maximum exposure limit, based on averaging time of 8 hours, is 0.020 ppmv or less when tested in a sealed, controlled room approximately 30 m³.

PRODUCT SPECIFICATIONS AND PARTS

MODEL NUMBER.....CDAP4500
DIMENSIONS.....8.88"L x 6.38"W x 22"H
WEIGHT.....9.45 pounds
INPUT VOLTAGE.....120 V, 60Hz, 55W, 0.5 Amps

REPLACEMENT FILTER:
FILTER B (FLT4825)
REPLACEMENT BULB: LB4000
BULB: 5W



LAMP CONTAINS MERCURY



Manage in accordance with Spills, Disposal and Site Cleanup Requirements. In case of breakage, follow clean-up procedures provided by contacts below.

www.epa.gov/cflcleanup 1-866-284-4010



This device complies with part 15 of the FCC Rules. Operation is subject to the following two conditions: (1) This device may not cause harmful interference, and (2) this device must accept any interference received, including interference that may cause undesired operation.

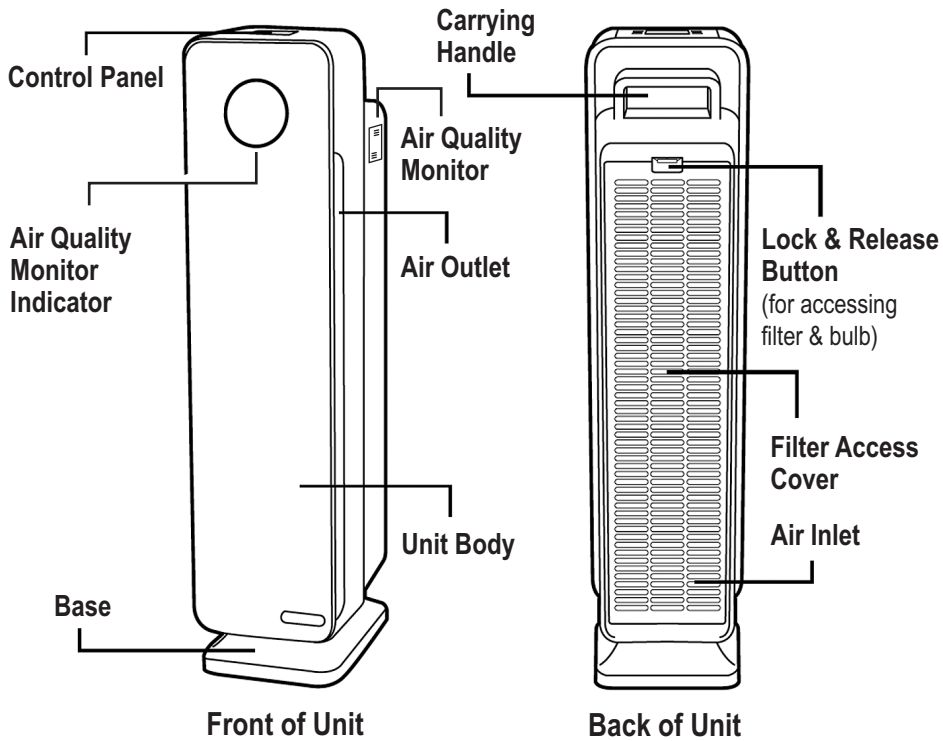
FCC Radiation Exposure Statement: This equipment complies with FCC radiation exposure limits set forth for an uncontrolled environment. In order to avoid the possibility of exceeding the FCC radio frequency exposure limits, Human proximity to the antenna shall not be less than 20 cm (8 inches) during operation.



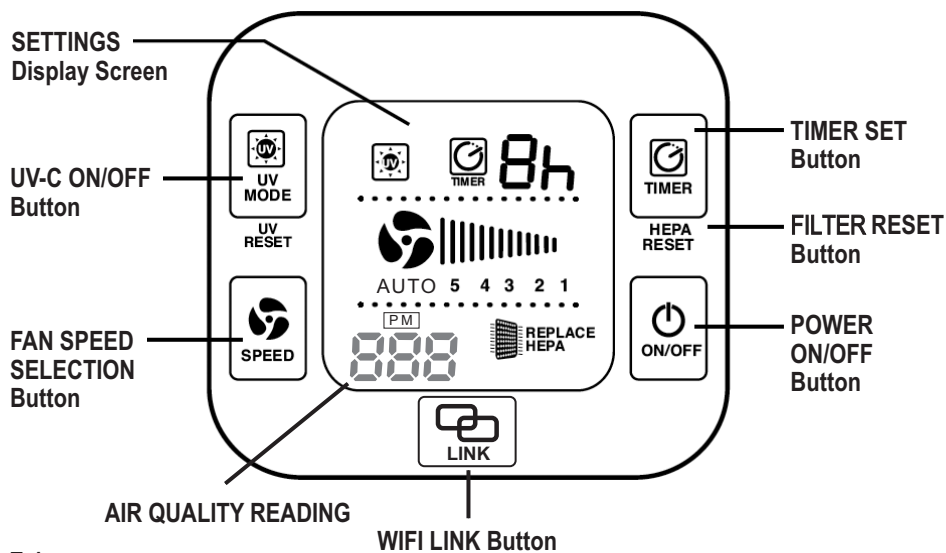
This product earned the ENERGY STAR by meeting strict energy efficiency guidelines set by the US EPA. US EPA does not endorse any manufacturer claims of healthier indoor air from the use of this product.

The energy efficiency of this ENERGY STAR qualified model is measured based on a ratio between the model's CADR for Dust and the electrical energy it consumes, or CADR/Watt.

PRODUCT SPECIFICATIONS AND PARTS



CONTROLS



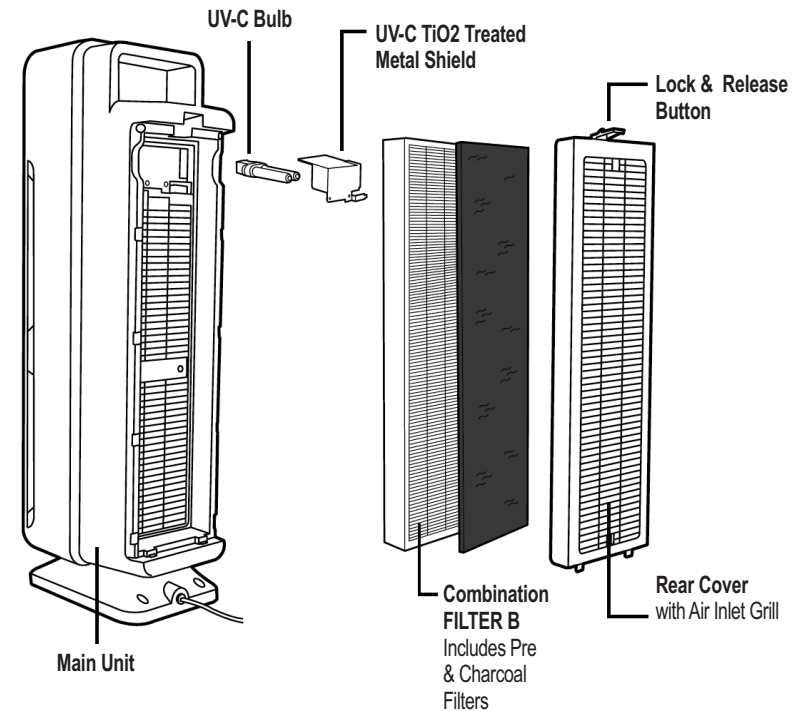
WiFiSmart Air Purifier

Improve your indoor air quality with your new GermGuardian WiFi and Bluetooth Smart Enabled Air Cleaning System. Multiple levels of cleaning provide allergy relief, fight germs and reduce unpleasant odors.

The Smart Air Quality Monitor (AQM) detects the amount of particles in the air and will automatically adjust the speed of the purifier to optimize room air quality when set in auto mode.

Easily download the GuardianTechnologies app and you can control the system wirelessly with a smartphone. This product is enabled with Bluetooth Smart (Low Energy) technology which enables a wireless connection over short distances using a low level of energy. When your smartphone is out of Bluetooth range, it will automatically switch to a WiFi connection that you select during your set up process.

AIR CLEANING LAYERS



BEFORE OPERATING THE AIR PURIFIER

1. Select a firm, level and flat location for the air purifier.
 - * For proper air flow, locate the unit at least 1 foot from any wall or furniture.
 - * Make sure none of the grills are blocked.
 2. Plug the power cord into a 120V AC outlet.
- IMPORTANT:** When moving the air purifier, always lift unit by the carrying handle located on back.

Wifi / Bluetooth® CONNECTION

We support iOS7 and above and **most** Android 4.3 and above



1. Plug the power cord into a 120V AC outlet.
2. Make sure your smartphone is connect to WiFi.
3. Download the GuardianTechnologies™ free app to your smartphone from the Apple App Store or Google Play.
4. Once installed, hold the **LINK** button until the wireless connection light blinks green.

Tip – Make sure smartphone is within arm's length of purifier during set up.
5. Complete WiFi connection as indicated on app set up instructions.

Tip – when in use, the device will automatically select between Bluetooth® and WiFi.



For more detailed app instructions, visit www.guardiantechnologies.com

OPERATING INSTRUCTIONS

Now you can control your air purifier both wirelessly and manually



1. Turn unit power ON.



2. Select fan speed MODE 1 - 5
 - 1 = low, ultra quiet sleep mode**
 - 5 = high speed allergen control**



AUTO MODE - The last fan speed is AUTO. When AUTO is selected the air purifier will change the fan speeds depending on the air quality level.



3. Select UV-C ON or OFF using UV-C Mode Button.

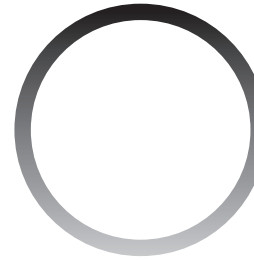


4. **TIMER:** If you prefer to run the purifier for a specific number of hours, you can select between 1 and 8 hours on the display.



5. **LINK** - Links Air Purifier to app set-up.
 - If green light appears Wifi can connect to Smartphone.
 - If red light appears Wifi cannot connect to Smartphone.

OPERATING INSTRUCTIONS (cont.)



Smart Air Quality Monitor (AQM): detects the amount of particulate matter (PM) in the air. The circular light on the front panel of the purifier is the AQM Indicator and it will change colors, indicating the air quality level in the room. The particulate matter value will be displayed on the control panel. See values and status ranges in chart below.

Auto Mode: when "Auto" mode is selected the SmartAQM will automatically adjust the speed level of the purifier to optimize the room air quality.



Your app will also display the color of the circle and provide the PM value.

Below are the color/values that can be displayed:

Ring Color	Particulate Matter Value (Range)	Air Quality Status
Green	0-100	Good
Yellow	101-200	Average
Red	201+	Poor



Filter Replacement Indicator: The Replace Filter light on the display will illuminate and flash indicating that it is time to replace your filter. Replace the filter according to directions (E8) then press and hold the TIMER button on your purifier for 5 seconds to reset the system.



Your app will notify you and also display a banner when it is time to replace the filter.



UV Bulb Replacement Indicator: The "UV" light on the display will flash when it is time to replace the UV bulb. Replace the bulb according to direction (E9). To reset the UV-C Replacement Indicator, press and hold the UV button to reset system. Hold for 5 seconds and change reset to restart.



Your app will notify you and also display a banner when it is time to replace the bulb.

*Control Panel Beep/Sound: The sound emitted from pressing the buttons on the control panel can be turned off/on by holding the SPEED button for 5 seconds.

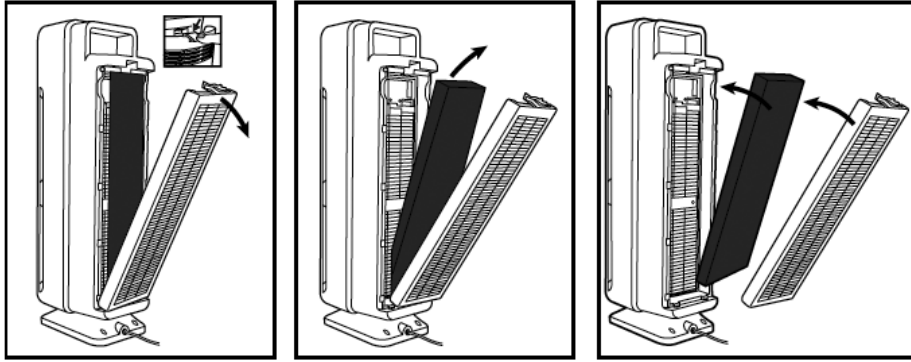
Visit www.guardiantechnologies.com for more information regarding the use of the Guardian Technologies app.

FILTER REPLACEMENT



The Replace Filter light will flash continuously indicating that it is time to replace your filter. Replace the filter according to directions then restart the system. Depending on usage, filter will last approximately 6 months.

1. Turn off and unplug the unit.



2. Press the lock and release button and remove the rear cover from the unit.
 3. Remove the used Combination Filter (Filter B) and dispose of it in the garbage.
 4. Insert filter system into the unit. Consult the arrow on the filter for correct installation direction.
5. To reset the filter indicator press and hold the timer button for 5 seconds.

CHECKING AND MAINTAINING FILTER

Maintain the filter by checking it frequently.

Depending on air quality conditions, you may need to replace it more frequently.

Vacuum the carbon filter layer as needed to remove loose debris and dust and to help prolong the life of your filter. (Refer to pg. E5 for filter layers view).

To check the status of the filter, peel back the carbon layer to expose the pleated Filter. If the Filter is no longer white and is covered in grey dust/dirt it should be replaced.

IMPORTANT: Do NOT try to wash and re-use the Combination Filter.

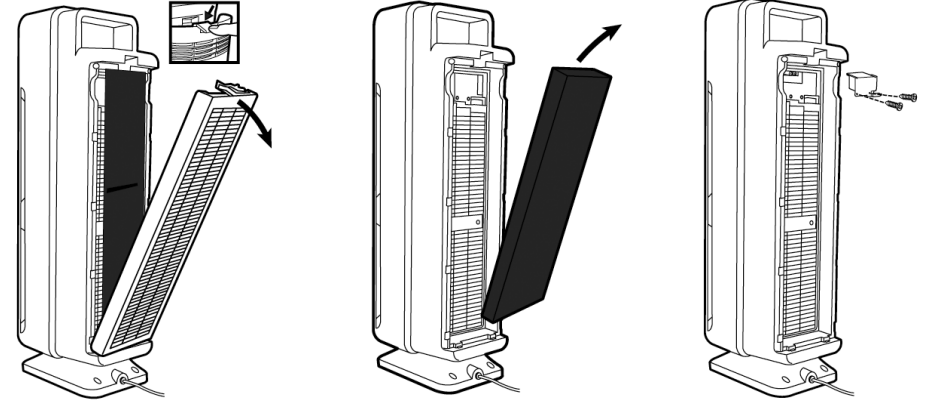
IMPORTANT: To maintain warranty and the performance of the air cleaner, use Guardian Technologies GENUINE Replacement Parts only.

Genuine Filter Replacements can be purchased directly at www.guardiantechnologies.com

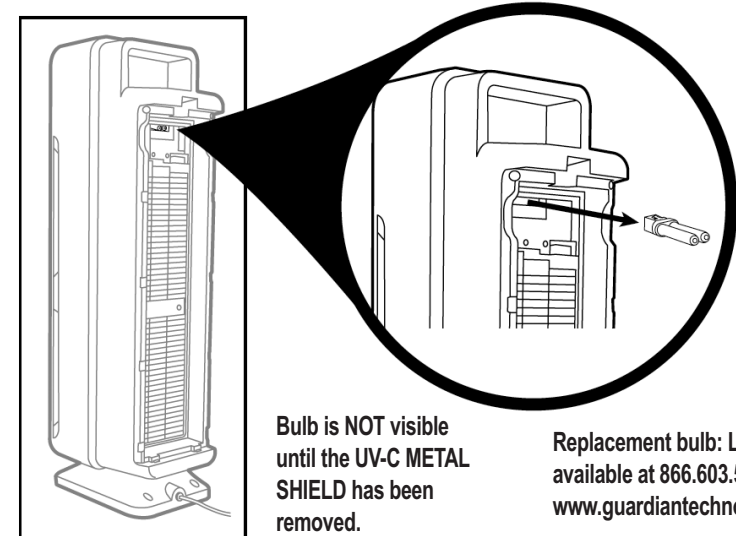
FILTER **B** (FLT4825)

INSTALLING & REMOVING UV-C BULB

UV Bulb Replacement Indicator: The UV light on the display will flash when its time to replace the UV bulb.



1. Turn off and unplug unit. Press the lock and release button and remove the rear cover from the unit.
2. Remove the combination filter.
3. Use a Philips head screwdriver to remove 2 screws and detach the UV-C Metal Shield.
4. The UV-C Bulb is removed by carefully grasping the bulb with a clean cloth or tissue and pulling the bulb straight out of the unit.



Bulb is NOT visible until the UV-C METAL SHIELD has been removed.

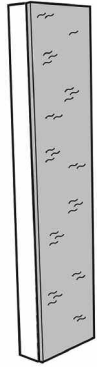
Replacement bulb: LB4000 available at 866.603.5900 or www.guardiantechnologies.com

5. The UV-C Bulb is reinstalled by sliding it, horizontally, back into the slots at the top of the unit.
6. To reset the UV-C Replacement Indicator, press and hold the UV button for 5 seconds

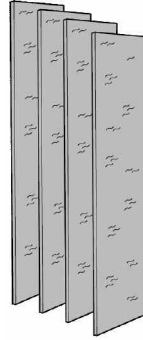
REPLACEMENT PARTS

IMPORTANT: To maintain warranty and the performance of the air cleaner, use Guardian Technologies **GENUINE** Replacement Parts only.

To Purchase Contact Customer Service at 1.866.603.5900 or visit www.guardiantechnologies.com



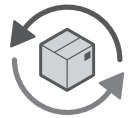
FILTER B
Replacement Combo Filter
Model No. FLT4825



Replacement Carbon Filter
4 Pack
Model No. FLT22CB4



Replacement UV-C Bulb
Model No. LB4000



Check out our

AutoShip & Save

Filter Replacement Program™

www.guardiantechnologies.com

NOTE: Do **NOT** stick any foreign objects or your fingers inside of the unit.

CAUTION: Do **NOT** use gasoline, benzine, thinner, harsh cleaners, etc. on and/or in the unit while cleaning as they will damage the product.

NEVER use alcohol or other solvents.

Clean Air Delivery Rate

From air cleaner to air cleaner, compare the CADR numbers. First look at suggested room size. Then refer to the Clean Air Delivery Rate (CADR) numbers. The higher the number, the faster the unit filters the air.

This air cleaner is suggested for use in a single, closed room up to 124 square feet.

Higher CADR rates provide improved performance in all room sizes. Portable air cleaners will be much more effective in rooms when all the doors and windows are closed.

TOBACCO SMOKE: 80+

This value represents performance that can be expected within the first 72 hours of operation. Subsequent use may vary with use.

Tested per ANSI/AHAM AC-1 National Standard

What is CADR?

CADR stands for "Clean Air Delivery Rate," which indicates the volume of filtered air delivered by an air purifier. CADR ratings show the effectiveness of how efficient the air purifier is at capturing fine particles from things like tobacco smoke and plant pollens from the room.

TROUBLESHOOTING GUIDE

PROBLEM	SOLUTION
Unit does not operate.	Check that the unit is plugged in. Check that filter is in place. Confirm that filter is Genuine Replacement Filter Call Customer Service 1.866.603.5900.
Unit shuts off unexpectedly.	Check that unit is plugged into a working electrical outlet. Check that filter is firmly in place. Check that the Rear Cover is latched firmly in place. Call Customer Service 1.866.603.5900.
No air circulating from unit.	Unplug unit. Check Pre-/Carbon Filters. Clean Pre-/Carbon Filter if necessary. Replace Filter if necessary.
Increase in noise level.	Make sure the filters are clean. Replace if necessary.
App will not download.	Check to make sure you have most recent update on smartphone.
Not "LINKING" / finding Wifi or Bluetooth®.	Check that the device is plugged in. Make sure smartphone is within arm's length of the purifier. Make sure that light is blinking blue.

GARANTIE LIMITÉE

Guardian Technologies LLC garantit au consommateur que cet appareil est exempt de défauts matériels ou de fabrication, à partir de la date d'achat originale. Veuillez garder votre reçu de vente original pour justifier la date d'entrée en vigueur de la période de garantie. Sans reçu, la garantie devient nulle et non avenue.

Si cet appareil s'avère défectueux pendant la période de garantie, nous réparerons ou remplacerons toutes les pièces défectueuses gratuitement. Toute réparation couverte par la présente garantie doit être effectuée par Guardian Technologies LLC. **La présente garantie ne couvre pas les réparations non autorisées.**

La présente garantie ne couvre pas l'usure inhabituelle et les dommages causés par accident ou par une utilisation déraisonnable de l'appareil. La présente garantie ne couvre l'appareil que s'il est utilisé conjointement à des **accessoires d'origine de Guardian Technologies**. La garantie couvre uniquement un appareil acheté auprès de distributeurs agréés. La présente garantie vous donne certains droits juridiques. Vous pouvez également bénéficier d'autres droits (les droits peuvent varier d'un État à l'autre aux États-Unis).

L'enregistrement de garantie de l'appareil peut se faire en ligne à l'adresse

www.guardiantechnologies.com. Nous considérons le processus d'enregistrement comme important afin d'assurer un service supérieur à notre clientèle. Cependant, l'envoi de cette carte de garantie est facultatif et n'affectera en rien vos droits de faire valoir cette garantie en accord avec les conditions susmentionnées. Pour faire valoir la présente garantie, l'appareil complet doit être envoyé en port payé à Guardian Technologies LLC. Veuillez fournir des informations exhaustives, notamment : spécifiez la nature du problème, le numéro de modèle, la date d'achat, et incluez vos nom, adresse et numéro de téléphone (courriel facultatif) ainsi qu'une copie du reçu de vente original. Retournez l'appareil à l'attention de : Customer Service, et à l'adresse indiquée ci-après. Posez vos questions ou faites part de vos commentaires au numéro sans frais indiqué ci-après.

Guardian Technologies LLC
26251 Bluestone Blvd.
Euclid, Ohio 44132
1.866.603.5900
www.guardiantechnologies.com

La présente garantie peut être enregistrée en ligne à : www.guardiantechnologies.com.
Des copies supplémentaires de ce manuel d'utilisation peuvent être obtenues sur notre site Internet puis imprimées, ou en appelant le service à la clientèle.

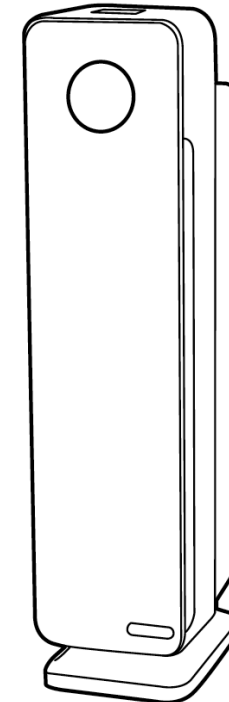


Guardian Technologies LLC
26251 Bluestone Blvd. • Euclid, OH 44132
1.866.603.5900 • www.guardiantechnologies.com

©2016 Guardian Technologies LLC



UTILISATION ET INSTRUCTIONS D'ENTRETIEN



Wifi et  Bluetooth® activés

Purificateur d'air intelligent

Modèle n° CDAP4500

Garantie limitée de un (3) an

www.guardiantechnologies.com

1.866.603.5900

REV0716

Numéro du filtre de rechange: Filtre **B** (FLT4825)

Pour commander, communiquez avec le service à la clientèle au :

1.866.603.5900 ou rendez-vous sur le site :

www.guardiantechnologies.com

Anglais E - 1

Français F - 1

Espagnol S - 1

Date d'achat

mois _____

année _____

Remarque : N'annulez pas la garantie – utilisez uniquement des pièces de rechange ORIGINALES de Guardian Technologies.

LIRE ET CONSERVER CES INSTRUCTIONS AVERTISSEMENTS

Le non-respect des avertissements mentionnés ci-dessous peut provoquer une décharge électrique ou des blessures graves.



Ce produit doit être utilisé en conformité avec les directives indiquées dans le présent manuel. De graves blessures peuvent résulter d'un usage du produit autre que celui indiqué dans le présent manuel.

Lorsque vous utilisez un appareil électrique, vous devez toujours respecter certaines consignes élémentaires de sécurité afin de réduire le risque de feu, de choc électrique et de blessure, dont les suivantes.

- Lisez toutes les instructions avant d'utiliser cet appareil.
- **IMPORTANT** - Cet appareil d'éclairage portable est équipé d'une fiche polarisée (une tige de la fiche est plus large que l'autre) pour réduire le risque de choc électrique. Cette fiche s'installe d'une seule façon dans la prise de courant. Si la fiche ne s'insère pas entièrement dans la prise, insérez-la dans l'autre sens. Si elle ne s'insère toujours pas, contactez un électricien agréé. Ne jamais utiliser de rallonge électrique à moins que la fiche s'insère entièrement. Ne modifiez pas la fiche.
- Pour éviter tout risque d'incendie ou de choc électrique, branchez l'appareil directement dans une prise électrique de 120 V c.a.
- Gardez le cordon d'alimentation à l'écart des zones de passage. Pour éviter tout risque d'incendie, ne faites JAMAIS passer le cordon d'alimentation sous un tapis ou à côté de grilles de chauffage, de radiateurs, d'appareils de chauffage ou de cuisinières.
- Pour protéger contre tout risque de choc électrique, NE plongez PAS l'appareil dans l'eau ou dans un liquide quelconque. N'utilisez pas cet appareil à proximité de l'eau.
- Une surveillance étroite est impérative lorsque tout appareil est utilisé à proximité d'enfants ou d'animaux de compagnie.
- Débranchez toujours le purificateur d'air avant de le déplacer, d'ouvrir la grille de protection, de changer les filtres ou lorsqu'il n'est pas utilisé. Assurez-vous de débrancher l'appareil en tirant sur la prise et non sur le cordon.
- Ne laissez JAMAIS tomber et n'insérez JAMAIS d'objets dans tout orifice de l'appareil.
- Ne faites pas passer le cordon électrique sous la moquette.
- Ne recouvrez pas le cordon électrique avec des carpettes, des tapis d'escalier ou tout autre revêtement similaire.
- Ne faites pas passer le cordon électrique sous les meubles ni les appareils électroménagers. Disposez le cordon électrique à l'écart de la zone de passage et où personne ne risque de trébucher dessus.
- N'utilisez JAMAIS un appareil dont le cordon d'alimentation ou la fiche est endommagé, dont le moteur du ventilateur ne tourne plus, à la suite d'une défaillance ou d'une panne, ou qui est tombé ou est endommagé de quelque manière que ce soit. Veuillez communiquer avec le service à la clientèle au 1.866.603.5900 pour obtenir de l'aide.
- N'utilisez l'appareil que conformément à son utilisation prévue et décrite dans le présent manuel. Toute utilisation autre que celles recommandées par le fabricant risque de provoquer un incendie, un choc électrique ou des blessures.
- N'utilisez PAS cet appareil à l'extérieur.

AVERTISSEMENT: LES CORDONS, FILS ÉLECTRIQUES ET/OR CÂBLES FOURNIS AVEC CET APPAREIL CONTIENENT DES PRODUITS CHIMIQUES Y COMPRIS DU PLOMB OU DES COMPOSÉS DU PLOMB RECONUS PAR L'ÉTAT DE CALIFORNIE COMME POUVANT CAUSER LE CANCER, DES MALFORMATIONS CONGÉNITALES ET D'AUTRES PROBLÈMES DE SANTÉ GÉNÉRIQUE. LAVEZ-VOUS LES MAINS APRÈS L'UTILISATION DE L'APPAREIL.

(CALIFORNIA'S CODE OF REGULATIONS – CODE DE RÉGLEMENTATION DE LA CALIFORNIE – PROPOSITION 65)

- N'obstruez JAMAIS les sorties d'air, les grilles de protection ou les prises de l'appareil. Ne placez JAMAIS l'appareil sur une surface molle, telle qu'un lit ou un canapé, car cela risque de faire tomber l'appareil, obstruant la sortie ou l'entrée d'air.
- N'essayez PAS de réparer ou de régler toute fonction électrique ou mécanique de cet appareil. Agir ainsi annulera la garantie. L'intérieur de cet appareil ne contient aucune pièce remplaçable. Toute réparation doit être faite uniquement par un professionnel qualifié.
- NE METTEZ rien sur l'appareil.
- Les enfants ne peuvent pas identifier les risques liés à l'utilisation des appareils électriques. Pour cette raison, surveillez toujours les enfants lorsqu'ils sont à proximité du purificateur d'air.
- **AVERTISSEMENT:** Pour réduire le risque d'incendie ou de choc électrique ne pas utiliser ce ventilateur avec un dispositif de commande de la vitesse à semi-conducteurs quel qu'il soit.
- **AVERTISSEMENT :** Ne regardez pas directement la lumière émise par la lampe dans cet appareil pour éviter des dommages à la peau ou aux yeux. Débranchez toujours l'alimentation avant de remplacer la lampe ou d'entretenir l'appareil. Remplacez la lampe avec le modèle de lampe no LB4000, fabriqué par Guardian Technologies.
- Débranchez toujours l'appareil avant d'effectuer tout nettoyage ou tout entretien.
- **MISE EN GARDE :** N'utilisez PAS d'essence, de benzène, de diluant ou de nettoyants puissants (entre autres) pour nettoyer la surface intérieure ou l'extérieur de l'appareil, car cela risque de l'endommager. N'utilisez JAMAIS d'alcool ni d'autres dissolvants.

L'ozone moyenne pondérée dans le temps de 8 heures pour ce produit est de 0,001 ppmv lors de tests dans une chambre de 30 m³. Le produit est conforme avec la concentration maximale permise d'ozone de 0,05 parties par million par volume (ppmv) dans une période de 24 heures. Les lignes directrices de Santé Canada 2010 recommandent que la limite d'exposition maximale, selon un temps moyen de 8 heures, soit de 0,020 ppmv ou moins lors de tests dans une salle hermétique et contrôlée d'environ 30 m³.

SPÉCIFICATIONS DE L'APPAREIL ET PIÈCES

NUMÉRO DE MODÈLE CDAP4500
DIMENSIONS ... 22.55cm L x 16.20cm W x 55.88cm H
POIDS 4,28 kg (9,45 lb)
TENSION D'ENTRÉE 120 V, 60Hz, 55W, 0.5 Amps

FILTRE DE RECHANGE:
FILTER B (FLT4825)
TUBE DE RECHANGE: LB4000
TUBE: 5W



L'AMPOULE CONTIENT DU MERCURE



Veuillez respecter les exigences en matière de déversement, d'élimination et de nettoyage. En cas de bris, suivez les consignes fournies par les sources ci-dessous pour le nettoyage.

www.epa.gov/cflcleanup 1-866-284-4010



Cet appareil est conforme avec la Partie 15 des règles de la FCC. L'opération est soumise aux deux conditions suivantes : (1) Ce dispositif peut ne pas causer d'interférences nuisibles, et (2) ce dispositif doit accepter toute interférence reçue, incluant celles pouvant causer un fonctionnement indésirable.

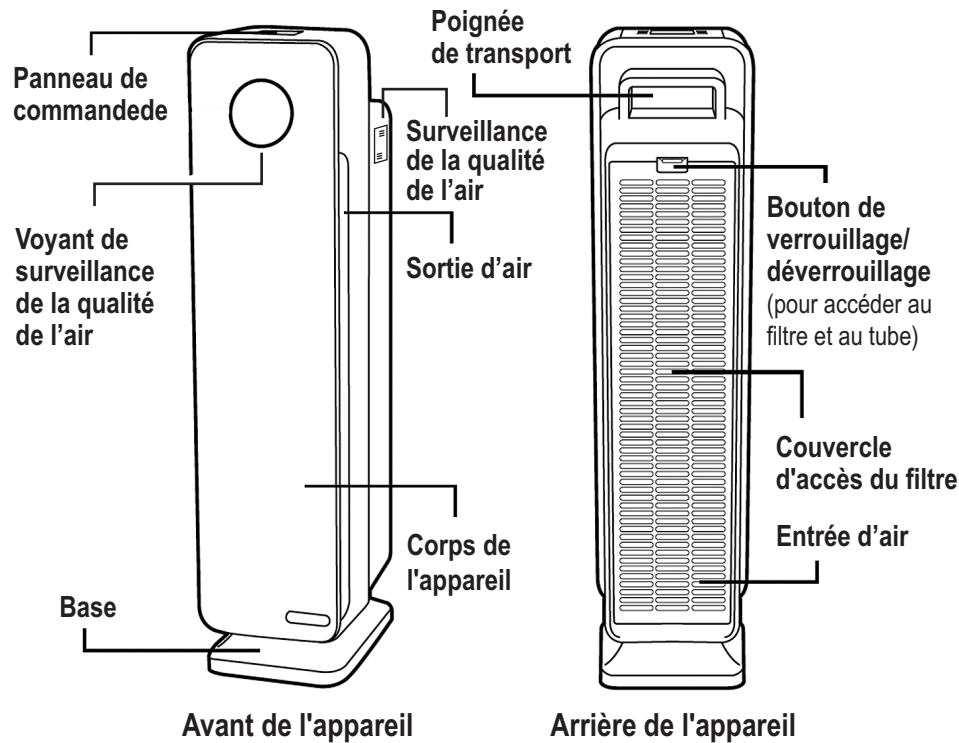
Déclaration sur l'exposition aux radiations de la FCC : Cet équipement est conforme avec les limites d'exposition aux radiations stipulées par la FCC et définies pour un environnement non-contrôlé. Afin d'éviter la possibilité de dépasser les limites d'exposition aux radio-fréquences définies par la FCC, toute proximité humaine à l'antenne ne doit pas être moindre que 20 cm (8 po) lors de son fonctionnement.



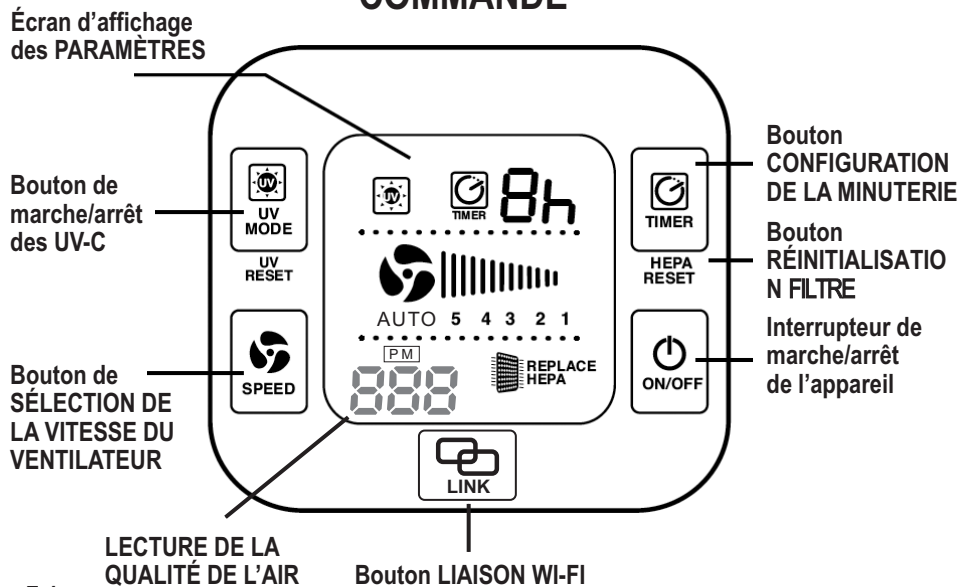
Une étoile ENERGY STAR a été attribuée à cet article pour avoir satisfait les normes d'efficacité énergétique strictes établies par l'agence américaine de protection de l'environnement (EPA). L'EPA ne corrobore aucune des déclarations du fabricant affirmant que l'utilisation de ce produit assainit l'air intérieur.

L'efficacité énergétique de ce modèle répondant aux exigences qui lui permettent de porter le symbole ENERGY STAR est mesurée selon le rapport entre le débit d'air purifié (Clean Air Delivery Rate ou CADR) pour la poussière du modèle et l'énergie électrique qu'il consomme, ou CADR/watts.

SPÉCIFICATIONS DE L'APPAREIL ET PIÈCES



COMMANDE



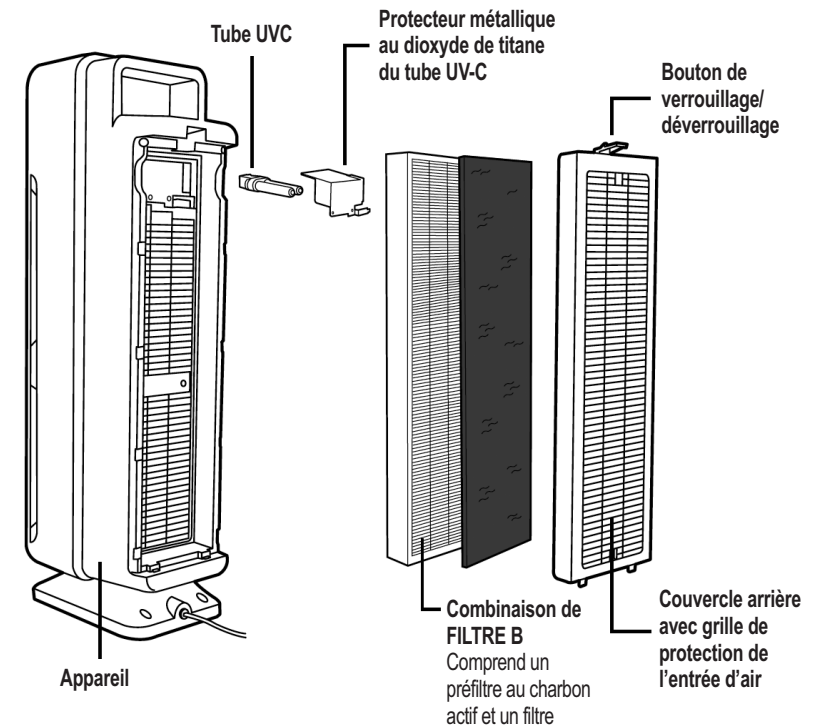
Purificateur d'air intelligent Wi-Fi

Améliorez la qualité de l'air intérieur avec votre nouveau système de nettoyage de l'air activé intelligemment par Bluetooth et Wi-Fi GermGuardian. Plusieurs niveaux de nettoyage fournissent un soulagement aux allergies, combattent les germes et réduisent les odeurs désagréables.

La surveillance intelligente de la qualité de l'air (AQM) détecte la quantité de particules dans l'air et va automatiquement ajuster la vitesse du purificateur pour optimiser la qualité de l'air de la pièce lorsque configurée en mode automatique.

Téléchargez facilement l'application Guardian Technologies et vous pouvez contrôler le système sans-fil à l'aide d'un téléphone intelligent. Ce produit est activé avec une technologie intelligente Bluetooth (énergie faible) qui active une connexion sans-fil sur de courtes distances à l'aide d'un niveau faible d'énergie. Lorsque votre téléphone intelligent est hors de la portée Bluetooth, il passera automatiquement à une connexion Wi-Fi que vous choisirez lors de votre configuration.

NIVEAUX DE PURIFICATION D'AIR



AVANT L'UTILISATION DU SYSTÈME DE PURIFICATION D'AIR :

1. Choisissez une surface dure, plane et de niveau pour y poser l'appareil.
* Pour un bon écoulement de l'air, placez l'appareil à au moins 30 cm (1 pied) de tout mur et de tout meuble.
* Vérifiez qu'aucune des grilles de protection n'est obstruée.

2. Branchez le cordon d'alimentation dans une prise de courant standard de 120 V c.a.

IMPORTANT: Utilisez toujours la poignée de transport de l'appareil située sur l'arrière pour le déplacer. L'ensemble de filtre contient :

Connexion Wi-Fi / Bluetooth®

Nous prenons en charge iOS7 et les versions plus récentes et la plupart des versions Android 4.3 et plus récentes



1. Branchez le cordon d'alimentation dans une prise de courant standard de 120 V c.a.
2. Assurez-vous que votre téléphone intelligent est relié au Wi-Fi.
3. Téléchargez l'application gratuite Guardian Technologies™ vers votre téléphone intelligent depuis la boutique Apple App Store ou Google Play.



4. Une fois installé, maintenez le bouton **LIAISON** jusqu'à ce que le voyant lumineux de connexion sans-fil clignote vert.

Conseil: assurez-vous que le téléphone intelligent est à portée de bras du purificateur lors de la configuration.

5. Terminez la connexion Wi-Fi comme indiqué sur les instructions de configuration de l'application.

Conseil: lorsqu'il n'est pas utilisé, le dispositif va automatiquement choisir entre Bluetooth® and WiFi.

Pour des instructions plus détaillées sur l'application, visitez www.guardiantechnologies.com

INSTRUCTIONS D'UTILISATION

À présent, vous pouvez contrôler votre purificateur sans-fil et manuellement.



1. Mettez l'appareil en MARCHE (ON).



2. Sélectionnez la vitesse du ventilateur, MODE 1 à 5.

1 = mode basse vitesse, ultra-silencieux de nuit

5 = contrôle haute vitesse des allergènes

MODE AUTOMATIQUE - La dernière vitesse du ventilateur est AUTOMATIQUE.

Lorsque le mode AUTOMATIQUE est choisi, le



3. Sélectionnez l'activation ou la désactivation des rayons UVC à l'aide du bouton UV.

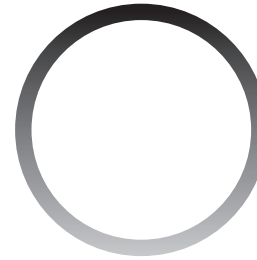


4. **MINUTERIE** : Si vous préférez faire fonctionner le purificateur pendant une durée d'heures spécifique,



5. **LIAISON** - Relie le purificateur d'air à la configuration de l'application.
Si le voyant vert apparaît, le Wi-Fi peut connecter au téléphone intelligent.
Si le voyant rouge apparaît, le Wi-Fi ne peut se connecter au téléphone intelligent.

INSTRUCTIONS D'UTILISATION



La surveillance intelligente de la qualité de l'air (AQM) détecte la quantité de matière sous forme de particules (PM) dans l'air. Le voyant circulaire sur le panneau avant du purificateur est l'indicateur AQM et il changera de couleur, indiquant le niveau de qualité de l'air dans la pièce. La valeur de la matière sous forme de particules sera affichée sur le panneau de contrôle. Voir les valeurs et les portées du statut dans le diagramme ci-dessous.

Mode automatique : lorsque le mode « Automatique » est choisi, le SmartAQM va automatiquement régler le niveau de la vitesse du purificateur pour optimiser la qualité de l'air dans la pièce.



Votre application va également afficher la couleur du cercle et fournir la valeur PM.

Ci-dessous se trouvent la couleur/les valeurs pouvant être affichées :

Couleur de l'anneau	Valeur de la matière sous forme de particules (portée)	Statut de la qualité de l'air
Vert	0-100	Bon
Jaune	101-200	Moyen
Rouge	201+	Piètre



Voyant de remplacement du filtre : Le voyant du Remplacement à l'écran va illuminer et clignoter indiquant qu'il est temps de remplacer votre filtre. Remplacez le filtre selon les directives (E8), puis appuyez et maintenez le bouton MINUTERIE sur votre purificateur pendant 5 secondes pour réinitialiser le système.



Votre application vous avisera et affichera également une bannière lorsqu'il est temps de remplacer le filtre.



Voyant de remplacement du tube UV : Le voyant « UV » sur l'écran clignotera lorsqu'il est temps de remplacer l'ampoule UV. Remplacez l'ampoule selon les directives (E9). Pour réinitialiser le voyant de remplacement UV-C, appuyez et maintenez le bouton UV pour réinitialiser le système. Maintenez-le appuyé pendant 5 secondes et changez la réinitialisation pour redémarrer.



Votre application vous avisera et affichera également une bannière lorsqu'il est temps de remplacer l'ampoule.

*Bip et son émis par le tableau de commande : Le son émis suite à la pression des boutons sur le panneau de contrôle peut être éteint/allumé en maintenant le bouton VITESSE pendant 5 secondes.

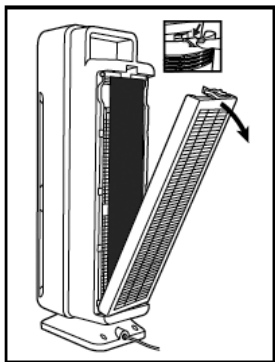
Visitez www.guardiantechnologies.com pour plus d'informations sur l'utilisation de l'application Guardian Technologies.

REPLACEMENT DU FILTRE

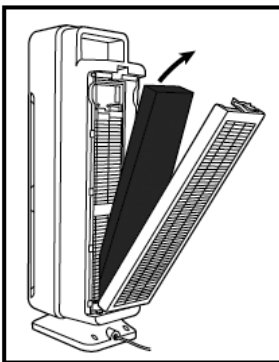


Le voyant de Remplacement clignotera de manière continue indiquant qu'il est temps de remplacer votre filtre. Remplacez-le selon les directives, puis redémarrez le système. Selon l'utilisation, la durée de vie du filtre est d'environ 6 mois.

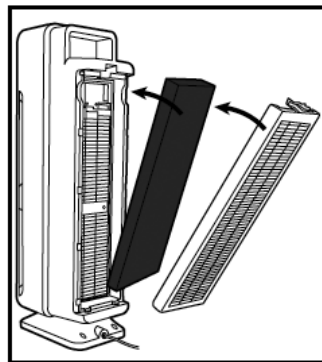
1. Arrêtez l'appareil et débranchez-le.



2. Appuyez sur le bouton de verrouillage/déverrouillage et retirez le couvercle à l'arrière de l'appareil.



3. Enlevez la combinaison de filtres usée (Filtre B) et jetez-la dans les ordures ménagères.



4. Insérez le filtre obtenu dans l'appareil. Consultez la flèche sur le filtre pour le sens adéquat pour l'installation.

5. Appuyez sur le bouton de la minuterie pendant 5 secondes pour réinitialiser le voyant du filtre.

NETTOYAGE ET ENTRETIEN DE LA COMBINAISON DE FILTRES

Faites l'entretien du filtre en le vérifiant fréquemment.

Selon les conditions de la qualité de l'air, vous pourriez devoir le remplacer plus fréquemment.

Aspirez la couche du filtre à charbons si requis pour enlever les débris lâches et la poussière, et pour aider à prolonger la durée de vie de votre filtre. (Consultez la page E5 pour une vue des couches du filtre).

Pour vérifier le statut du filtre, enlevez la couche de carbone pour monter le filtre plissé.

Si le filtre n'est plus blanc et qu'il est couvert d'une poussière grise et d'une saleté, il doit être remplacé.

Important : ne lavez PAS et ne réutilisez PAS la combinaison de filtres.

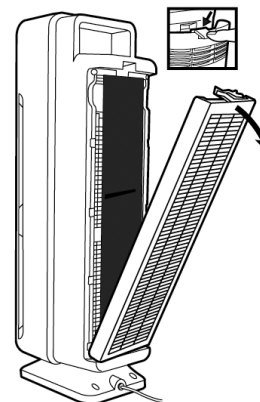
IMPORTANT : Pour maintenir la garantie et la performance du nettoyeur d'air, n'utilisez que des pièces AUTHENTIQUES de rechange de Guardian Technologies.

Des filtres authentiques de rechange peuvent être achetés directement sur le site www.guardiantechnologies.com

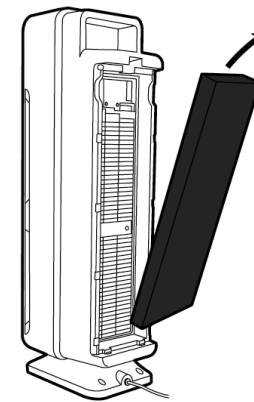
FILTRE **B** (FLT4825)

INSTALLER ET RETIRER LE TUBE UVC

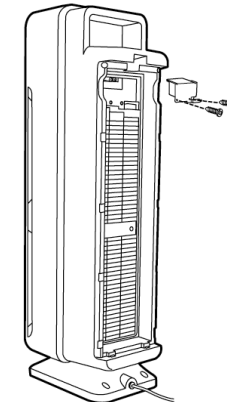
Voyant de remplacement du tube UV : L'anneau lumineux bleu sur le devant du tableau de commande du système de purification d'air clignote lorsqu'il est temps de remplacer le tube.



1. Arrêtez l'appareil et débranchez-le. Appuyez sur le bouton de verrouillage/déverrouillage et retirez le couvercle à l'arrière de l'appareil.

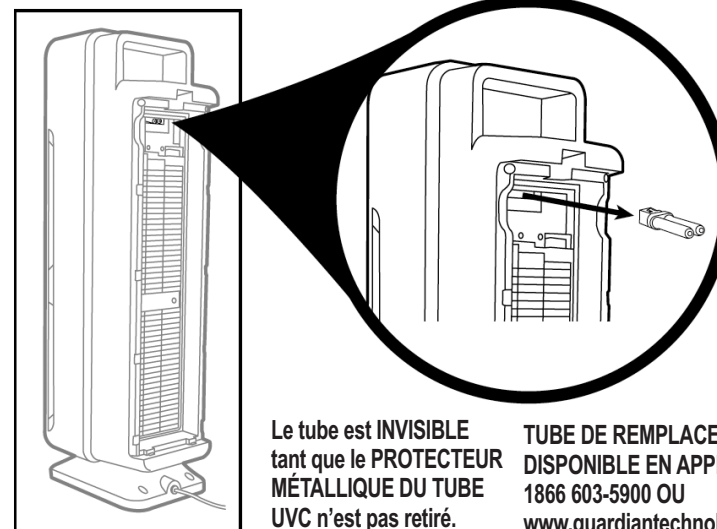


2. Retirez la combinaison de filtres de l'appareil.



3. Après avoir retiré le filtre combiné, utilisez un tournevis cruciforme pour dévisser les 2 vis et détacher le protecteur métallique de la lampe UVC.

4. Pour retirer le tube UVC, saisissez-le en utilisant un chiffon ou un mouchoir en papier propre et tirez dessus pour le dégager de l'appareil.



Le tube est INVISIBLE tant que le PROTECTEUR MÉTALLIQUE DU TUBE UVC n'est pas retiré.

TUBE DE REMPLACEMENT : LB4000 DISPONIBLE EN APPELANT LE 1866 603-5900 OU www.guardiantechnologies.com

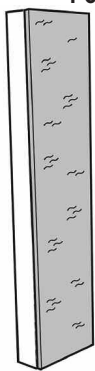
5. Pour réinstaller le tube UVC, faites-le glisser horizontalement dans la fente en haut de l'appareil.

6. Appuyez sur le bouton UV pendant 3 secondes pour réinitialiser le voyant de remplacement du tube d'UV-C.

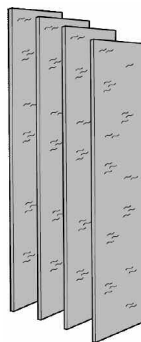
PIÈCES DE REMPLACEMENT

IMPORTANT : Pour maintenir la garantie et la performance du nettoyeur d'air, n'utilisez que des pièces AUTHENTIQUES de rechange de Guardian Technologies.

Pour commander, appelez le service à la clientèle au 1.866.603.5900 ou rendez-vous sur le site: www.guardiantechnologies.com



FILTRE B
Filtre de remplacement
No de modèle FLT4825



Paquet de 4 filtres au
charbon actif de rechange
No de modèle FLT22CB4



Tube UVC de remplacement
No de modèle LB4000



AutoShip & Save

Découvrez notre programme en ligne de rappel de remplacement des filtres.
www.guardiantechnologies.com

Remarque: N'enfoncez PAS d'objets, ni vos doigts, à l'intérieur de l'appareil.

Avertissement: N'utilisez PAS d'essence, de benzine, de diluant ou de nettoyants puissants (entre autres) pour nettoyer la surface intérieure ou l'extérieur de l'appareil, car cela risque de l'endommager. N'utilisez **JAMAIS** d'alcool ni d'autres dissolvants.

Débit d'air pur

Comparez les performances des différents purificateurs d'air à l'aide du CADR. Premièrement, repérez la superficie de la pièce suggérée. Puis, consultez les données CADR. Plus la valeur est élevée, plus l'appareil filtre rapidement l'air.

L'utilisation de ce système de purification d'air est suggérée pour une pièce unique fermée d'une superficie allant jusqu'à 11.5 mètres carrés.

Des valeurs CADR plus élevées permettent une performance supérieure dans des pièces de toute superficie. Les purificateurs d'air portables sont beaucoup plus efficaces dans les pièces si les portes et les fenêtres sont fermées.

Fumée de Tabac: 80+

Cette valeur correspond au rendement prévu au cours des 72 premières heures d'utilisation. Les valeurs après cette période peuvent varier en fonction de l'utilisation.

Appareil teste conforme aux normes nationales ANSI/AHAM AC-1

Qu'est-ce que le CADR?

CADR est l'acronyme de Clean Air Delivery Rate, soit le volume d'air filtré produit par un purificateur d'air. Le classement CADR indique l'efficacité d'un purificateur d'air dans sa filtration des particules fines, telles que la fumée de tabac et les pollens de plantes, dans une pièce.

GUIDE DE DÉPANNAGE

PROBLÈME	SOLUTION
L'appareil ne fonctionne pas.	Vérifiez que l'appareil est branché. Vérifiez que le filtre est bien en place. Confirmez que le filtre de rechange est un filtre authentique la clientèle au 1.866.603.5900.
L'appareil s'éteint intempestivement.	Vérifiez que l'appareil est branché à une prise de courant fonctionnelle. Vérifiez que le filtre est bien en place. Vérifiez que le couvercle arrière est bien verrouillé. Veuillez communiquer avec le service à la clientèle au 1.866.603.5900.
Il n'y pas de circulation d'air.	Débranchez l'appareil. Vérifiez le préfiltre au charbon et le filtre. Nettoyez le préfiltre au charbon au besoin. Remplacez le filtre au besoin.
Augmentation du niveau de bruit.	Assurez-vous que les filtres sont propres. Remplacez-les au besoin.
L'application ne se télécharge pas.	Assurez-vous que votre téléphone Intelligent est mis à jour à sa version la plus récente.
N'effectue pas une « LIAISON », ne trouve pas le Wifi ou le BluetoothM.	Vérifiez que le dispositif est branché. Assurez-vous que le téléphone intelligent est à portée de bras du purificateur. Assurez-vous que le voyant clignote bleu.

GARANTÍA LIMITADA

Para el consumidor, Guardian Technologies LLC garantiza que este producto se encuentra libre de defectos de materiales o mano de obra a partir de la fecha de compra original. Guarde el recibo de compra original para validar el inicio del período de garantía. La garantía no es válida sin el recibo correspondiente.

Si durante el período de garantía se encuentra que el producto es defectuoso, repararemos o reemplazaremos las piezas defectuosas sin ningún costo. Todas las reparaciones cubiertas por la garantía deben ser realizadas por Guardian Technologies LLC. Esta garantía **no cubre las reparaciones no autorizadas**. La garantía no cubre los problemas ocasionados por desgaste inusual, daños que resulten por un accidente o el uso no razonable del producto. Esta garantía sólo cubre el producto si se utiliza con accesorios genuinos de Guardian Technologies. Esta garantía cubre el producto que se adquirió con un distribuidor autorizado. Esta garantía le otorga derechos legales específicos y usted pudiera tener otros derechos adicionales (los cuales varían en cada estado en los EE. UU.)

Puede completar el registro de la garantía en línea en www.guardiantechnologies.com. Consideramos que el proceso de registro es importante para garantizar el servicio superior a nuestros clientes; sin embargo, el envío del comprobante de registro es opcional y no afecta sus derechos para utilizar la garantía de acuerdo a las condiciones estipuladas anteriormente. Para enviar el producto cubierto por la garantía, el aparato completo debe enviarse con porte pagado por anticipado a Guardian Technologies LLC. Incluya toda la información, incluso: la descripción del problema, el número de modelo del producto, la fecha de compra, una copia del recibo de compra original junto con su nombre dirección y número de teléfono (puede incluir su dirección de correo electrónico de manera opcional.) Dirija las devoluciones a la atención de: Departamento de servicio al cliente, a la dirección que se indica a continuación. Si tiene preguntas o comentarios llame sin costo al número de teléfono que aparece abajo.

Guardian Technologies LLC
26251 Bluestone Blvd.
Euclid, Ohio 44132
1.866.603.5900

www.guardiantechnologies.com

También puede registrar esta garantía en Internet en www.guardiantechnologies.com. Se pueden obtener copias adicionales accediéndolas e imprimiéndolas directamente en nuestro sitio web o llamando al departamento de servicio al cliente.

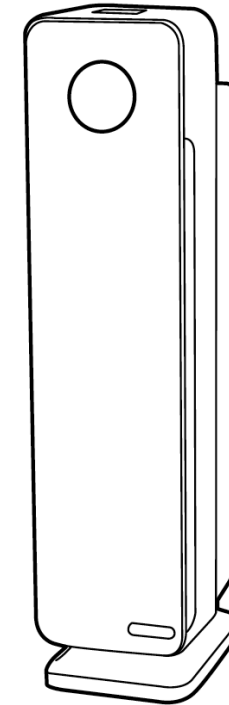


Guardian Technologies LLC
26251 Bluestone Blvd. • Euclid, OH 44132
1.866.603.5900 • www.guardiantechnologies.com

©2016 Guardian Technologies LLC



INSTRUCCIONES DE USO Y CUIDADO



Activado para Wifi y Bluetooth® Purificador Smart Air

Modelo No. CDAP4500

Garantía limitada por 3 años

www.guardiantechnologies.com

1.866.603.5900

REV0716

Inglés E - 1

Francés F - 1

Español S - 1

Fecha de compra

mes _____

año _____

Filtro de repuesto No: Filtro: **B** (FLT4825)

Para hacer el pedido comuníquese con el departamento de servicio al cliente al **1.866.603.5900** o visítenos en www.guardiantechnologies.com

Nota: No anule la garantía: Utilice únicamente piezas de repuesto GENUINAS de Guardian Technologies.

LEA Y GUARDE ESTAS INSTRUCCIONES ADVERTENCIAS

El no cumplir las advertencias que se enumeran a continuación puede provocar un choque eléctrico o lesiones severas.



Debe usarse este producto sólo de acuerdo a las especificaciones descritas en este manual. Usarlo de una manera diferente a lo indicado puede ocasionar lesiones severas.

Al usar un electrodoméstico, debe seguir siempre ciertas precauciones básicas para disminuir el riesgo de incendio, choque eléctrico y lesiones personales, las cuales incluyen todo lo siguiente:

- Antes de usar el electrodoméstico, lea todas las instrucciones.
- **IMPORTANTE** - Como una característica adicional, esta luminara portátil tiene una clavija polarizada (una hoja es más ancha que la otra) con el fin de reducir el riesgo de choque eléctrico. Esta clavija encajará en un tomacorriente polarizado de una manera solamente. Si la clavija no encaja bien en el tomacorriente, invierta la clavija. Si aún así no encaja, póngase en contacto con un electricista calificados. Nunca use una extensión eléctrica a menos que la clavija pueda insertarse por completo. No modifique la clavija.
- Para evitar un incendio o choque eléctrico, conecte directamente el aparato a un tomacorriente de 120 V de corriente CA.
- Mantenga el cordón eléctrico alejado de las áreas de gran tránsito peatonal. Para evitar el riesgo de incendio, **NUNCA** ponga el cordón eléctrico debajo de las alfombras, ni cerca de rejillas de calefacción, radiadores, estufas ni calentadores.
- Para evitar los riesgos eléctricos, **NO** sumerja este aparato en agua o en otros líquidos. No use este aparato cerca del agua.
- Cuando se utilice un aparato en un área donde hay niños o mascotas presentes, debe vigilarlos en todo momento.
- Desconecte siempre el purificador de aire antes de moverlo, abrir la rejilla, cambiar los filtros, antes de limpiarlo o cuando no lo use. Asegúrese de desconectarlo tomándolo del enchufe, no del cordón eléctrico.
- **NUNCA** deje caer ni inserte un objeto en cualquier abertura.
- No pase el cordón eléctrico por debajo de la alfombra.
- No cubra el cordón eléctrico con tapetes, plásticos protectores para alfombrado o cubiertas similares.
- No pase el cordón eléctrico por debajo de los muebles o aparatos electrodomésticos. Mantenga el cordón eléctrico alejado de las áreas de gran tránsito peatonal y de los lugares en que pueda provocar tropezones.
- **NO** utilice ningún aparato cuyo cordón eléctrico o clavija estén dañados, si el motor del ventilador no gira, si el aparato no funciona correctamente o si se ha caído o dañado de alguna forma. Si necesita ayuda, llame al departamento de servicio al cliente al 1.866.603.5900.
- Use este aparato únicamente para el uso doméstico previsto, como se describe en este manual. Cualquier otro tipo de uso no recomendado por el fabricante podría provocar un incendio, choque eléctrico o lesiones personales.
- No se debe utilizar en exteriores.

ADVERTENCIA: LOS CORDONES, ALAMBRES Y/O CABLES SUMINISTRADOS CON ESTE PRODUCTO CONTIENEN SUSTANCIAS QUÍMICAS QUE INCLUYEN PLOMO O COMPUESTOS DE PLOMO, CONSIDERADOS EN EL ESTADO DE CALIFORNIA COMO CAUSANTES DE CÁNCER, DEFECTOS DE NACIMIENTO U OTROS DAÑOS REPRODUCTIVOS. LÁVESE LAS MANOS DESPUÉS DE USARLO. (CÓDIGO DE REGLAMENTOS DE CALIFORNIA, PROPOSICIÓN 65)

- **NUNCA** bloquee las aberturas para el aire, las rejillas/salidas del aparato, ni coloque el producto sobre una superficie suave, como una cama o sofá, ya que esto podría provocar que el aparato se vuelque, se bloquee la abertura de entrada o la salida del aire.
- No intente reparar o ajustar un funcionamiento eléctrico o mecánico incorrecto de esta unidad. El hacerlo anulará la garantía. El interior del aparato no contiene piezas que requieren mantenimiento. Todas las labores de servicio y mantenimiento deben ser realizadas sólo por personal calificado.
- **NO** coloque ningún objeto en la parte superior de la unidad.
- Los niños no pueden percatarse de los riesgos asociados con el uso de aparatos electrodomésticos. Por este motivo siempre debe vigilar a los niños cuando se encuentren cerca del purificador de aire. (una hoja es más ancha que la otra) con el fin de reducir el riesgo de choque eléctrico. Esta clavija
- **ADVERTENCIA:** Para disminuir el riesgo de incendio o choque eléctrico, no utilice este ventilador con ningún dispositivo de control de velocidad de estado sólido.
- **ADVERTENCIA:** Ver directamente la luz producida por la lámpara de este aparato podría ocasionar daños en la piel o en los ojos. Siempre desconecte la corriente antes de reemplazar o darle mantenimiento a la lámpara. Reemplace la lámpara con la lámpara Modelo No. LB4000, fabricado por Guardian Technologies.
- Desconecte siempre la unidad antes de limpiarla o darle mantenimiento.
- **PRECAUCIÓN:** **NO** utilice gasolina, benceno, solvente, limpiadores agresivos, etc. para limpiar el interior y el exterior de la unidad, ya que podrían dañar el aparato. **NUNCA** utilice alcohol ni otro tipo de solventes.

El valor límite de umbral (TWA) de ozono durante 8 horas de este producto es 0.001 ppmv cuando se prueba en una habitación de 30 m³. El producto cumple con la concentración máxima permisible de ozono, de 0.050 partes por millón por volumen (ppmv) en un periodo de 24 horas. Los Lineamientos de salud de Canadá de 2010 recomiendan que el límite máximo de exposición, basado en un tiempo promedio de 8 horas, es de 0.020 ppmv o menor, cuando se ha probado en una habitación confinada y controlada de aproximadamente 30 m³.

ESPECIFICACIONES Y PARTES DEL PRODUCTO

NÚMERO DE MODELO:.....CDAP4500
DIMENSIONES:.....22.5 cm L x 16.2 cm W x 55.8 cm H
WEIGHT.....4.28 kg pounds
INPUT VOLTAGE.....120 V, 60Hz, 55W, 0.5 amperios

FILTRO DE REPUESTO:
FILTRO B (FLT4825)
FOCO DE REPUESTO: LB4000
FOCO: 5 VATIOS



LA BOMBILLA CONTIENE MERCURIO



Manipule según las exigencias sobre derrames, eliminación y limpieza del lugar. En caso se rompa, siga el método de limpieza proporcionado por los siguientes contactos.

www.epa.gov/cficleanup 1-866-284-4010



Este dispositivo cumple con la sección 15 del Reglamento del FCC. La operación está sujeta a las siguientes dos condiciones: (1) Este dispositivo podría no causar interferencia dañina, y (2) este dispositivo debe aceptar cualquier interferencia recibida, incluidas las interferencias que pueden ocasionar un funcionamiento no deseado.

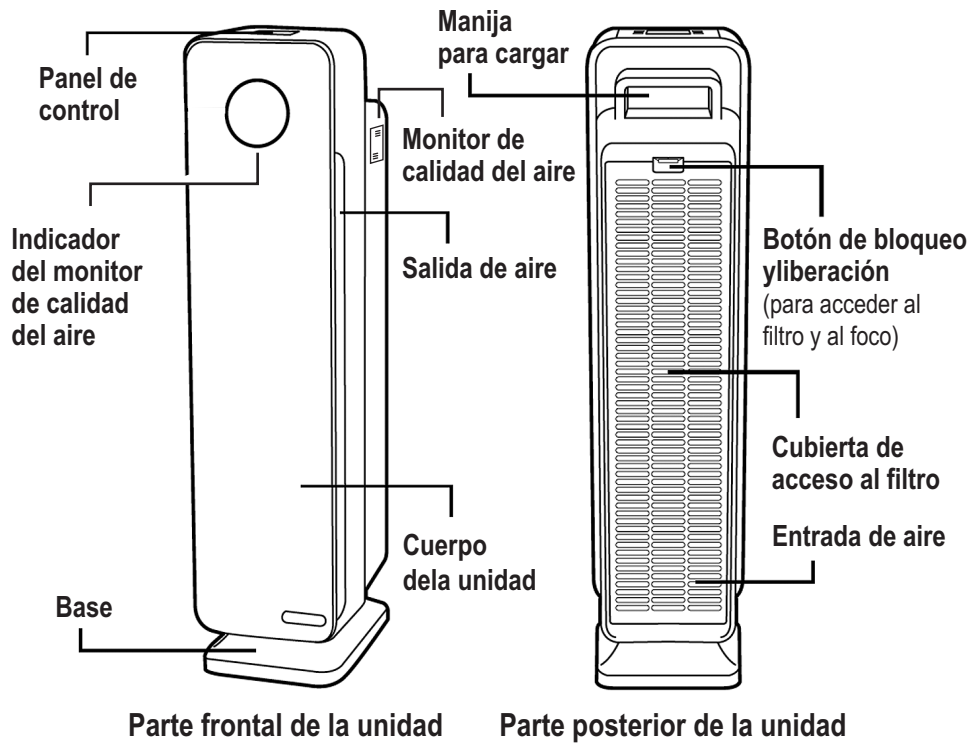
Declaración de exposición a la radiación de la FCC: Este equipo cumple con los límites de exposición a la radiación establecidos por la FCC para un entorno no controlado. Para evitar la posibilidad de sobrepasar los límites de exposición a la radiofrecuencia establecidos por la FCC, la proximidad humana a la antena no debe ser menor de 20 cm (8 pulgadas) durante la operación.



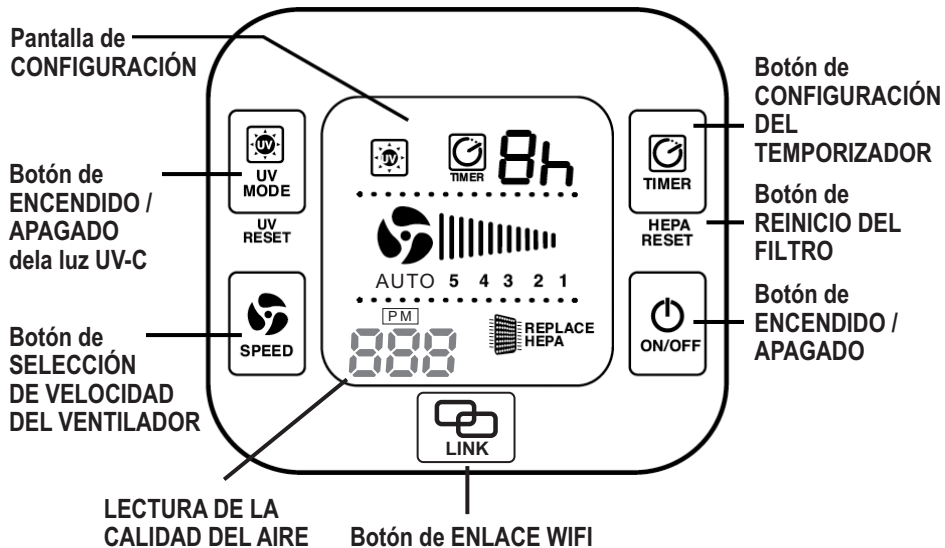
Este producto obtuvo la certificación ENERGY STAR mediante el cumplimiento de estrictas normas de ahorro de energía establecidas por la Agencia de Protección Ambiental de los Estados Unidos (US EPA, por su sigla en inglés). La EPA de los Estados Unidos no respalda las afirmaciones hechas por cualquier fabricante sobre la obtención de una calidad de aire en interiores más saludable debido al uso de este producto.

La eficiencia energética de este modelo con la certificación ENERGY STAR se mide en base a la proporción del promedio de emisión de aire puro (CADR, por su sigla en inglés) del modelo para el polvo y la energía eléctrica que consume, o CADR/vatio.

ESPECIFICACIONES Y PARTES DEL PRODUCTO



CONTROLES



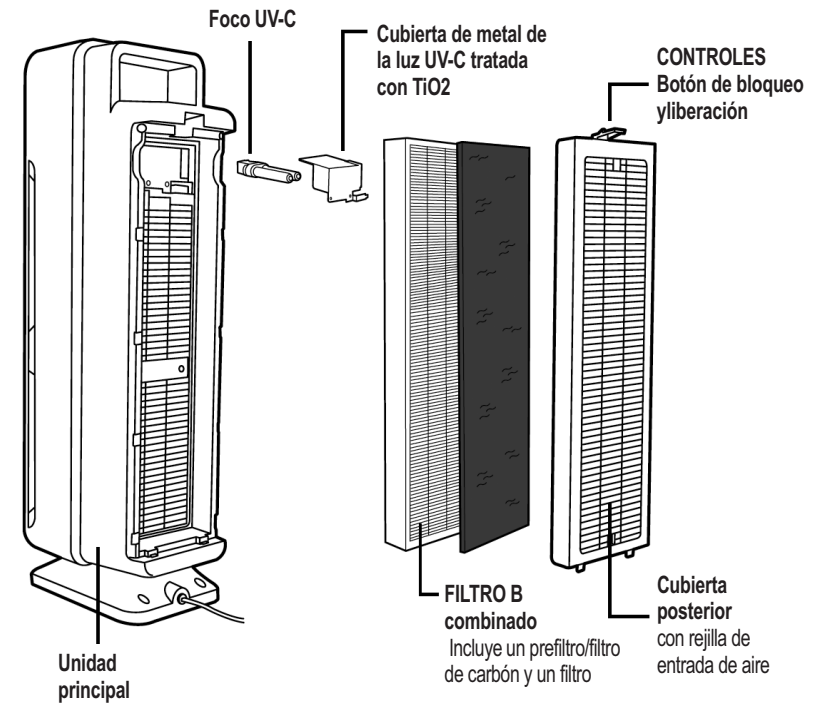
Purificador Wifi Smart Air

Mejore la calidad del aire dentro de su hogar con su nuevo Sistema Inteligente para la Limpieza del Aire con WiFi y Bluetooth activados GermGuardian. Múltiples niveles de limpieza que proporcionan alivio de alergias, combaten los gérmenes y reducen los olores desagradables.

El Monitor inteligente de la calidad del aire (AQM por su sigla en inglés) detecta la cantidad de partículas en el aire y automáticamente ajusta la velocidad del purificador para optimizar la calidad del aire en la habitación cuando está en modo automático.

Descargue fácilmente la aplicación de GuardianTechnologies y podrá controlar el sistema de manera inalámbrica con un teléfono inteligente. Este producto tiene activada la tecnología Bluetooth Smart (que requiere poca energía), la cual permite una conexión inalámbrica a distancias cortas utilizando poca energía. Cuando su teléfono inteligente esté fuera del rango de Bluetooth, automáticamente se cambiará a la conexión WiFi que usted elija durante el proceso de configuración.

SISTEMA PARA LA LIMPIEZA DEL AIRE



ANTES DE PONER EN FUNCIONAMIENTO EL PURIFICADOR DE AIRE:

1. Elija una superficie firme, plana y nivelada para colocar el purificador de aire.
 - * Para que el flujo de aire sea adecuado, ubique el aparato al menos a una distancia de 30.5 cm (1 pie) de la pared o muebles.
 - * Verifique que ninguna de las rejillas esté bloqueada.
2. Conecte el cable eléctrico a un tomacorriente de 120 V de corriente CA.

IMPORTANTE: Cuando mueva el purificador de aire, siempre levante la unidad de la manija para transporte que está en la parte posterior.

Conexión Wifi / Bluetooth®

Soportamos iOS7 y superior y la mayoría de Android 4.3 y superior.



1. Conecte el cable eléctrico a un tomacorriente de 120 V de corriente CA.
2. Asegúrese de que su teléfono inteligente esté conectado al WiFi.
3. Descargue la aplicación gratuita de Guardian Technologies™ para su teléfono inteligente desde Apple App Store o Google Play.



4. Después de instalarla, presione el botón de ENLACE (LINK) hasta que la luz de la conexión inalámbrica parpadee en color verde.

Consejo: Asegúrese de que su teléfono inteligente esté a una distancia no mayor a un brazo del purificador durante el proceso de configuración.

5. Complete WiFi connection as indicated on app set up instructions.

Consejo: cuando utilice el dispositivo, automáticamente seleccionará entre Bluetooth® y WiFi.

Para instrucciones más detalladas de la aplicación, visite www.guardiantechnologies.com

INSTRUCCIONES DE FUNCIONAMIENTO

Ahora puede controlar su purificador de aire de manera inalámbrica y manual.



1. Encienda la unidad.



2. Seleccione la velocidad del ventilador, MODO 1 a 5

1 = baja, modo ultra silencioso para dormir

5 = alta velocidad para control de alérgenos



MODO AUTOMÁTICO: La última velocidad del ventilador es AUTO.

Cuando AUTO está seleccionado, el



3. Active o desactive la luz UV-C con el botón Modo UV-C.



4. **TEMPORIZADOR:** Si prefiere que el purificador funcione durante una cantidad específica de horas, puede seleccionar entre 1 y 8 horas en la pantalla.

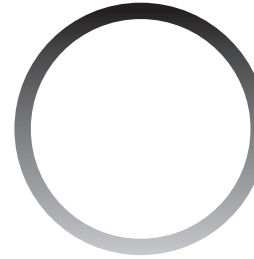


5. **ENLACE:** enlaza el purificador de aire con la configuración de la aplicación.

Si aparece la luz verde, se puede conectar el WiFi al teléfono inteligente.

Si aparece la luz roja, no se puede conectar el WiFi al teléfono inteligente.

INSTRUCCIONES DE FUNCIONAMIENTO



Monitor inteligente de la calidad del aire (AQM): detecta la cantidad de partículas en el aire. La luz circular en el panel frontal del purificador es el indicador del AQM y puede cambiar de color, para indicar el nivel de la calidad del aire en la habitación. El valor de las partículas se indicará en el panel de control. Vea los valores y los rangos de estado en la siguiente tabla.

Modo automático: cuando se selecciona el modo "Auto", el monitor inteligente de la calidad del aire automáticamente ajustará el nivel de velocidad del purificador para optimizar la calidad del aire de la habitación.



Su aplicación también mostrará el color del círculo y le brindará el valor de las partículas.

A continuación se indican los colores / valores que se pueden mostrar:

Color del anillo	Valor de partículas (rango)	Estado de la calidad del aire
Verde	0-100	Bueno
Amarillo	101-200	Promedio
Rojo	201+	Malo



Indicador de reemplazo del filtro: La luz de reemplazo del FILTRO en la pantalla se iluminará para indicar que es momento de reemplazar su filtro. Reemplace el filtro de acuerdo con las instrucciones (E8) y después presione y mantenga presionado el botón del TEMPORIZADOR en su purificador durante 5 segundos para reiniciar el sistema.



Su aplicación le notificará sobre esto y también le mostrará un anuncio cuando sea el momento de reemplazar el filtro.



Indicador de reemplazo del foco UV: La luz "UV" en la pantalla parpadeará cuando sea momento de reemplazar el foco UV. Reemplace el foco de acuerdo con las instrucciones (E9). Para reiniciar el indicador de reemplazo de la luz UV-C, mantenga presionado el botón UV para reiniciar el sistema. Mantenga presionado el botón durante 5 segundos y después el botón de reinicio para reiniciar.



Su aplicación le notificará sobre esto y también le mostrará un anuncio cuando sea el momento de reemplazar el foco.

*Panel de control Pitido/Sonido: Se puede apagar o encender el sonido que se emite al presionar los botones del panel de control al mantener presionado el botón de VELOCIDAD (SPEED) durante 5 segundos.

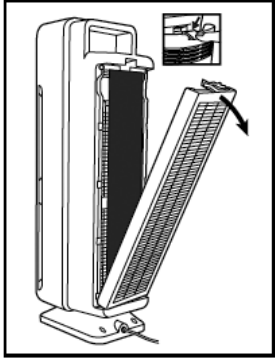
Visite www.guardiantechnologies.com para mayor información sobre el uso de la aplicación de Guardian Technologies.

REEMPLAZO DEL FILTRO

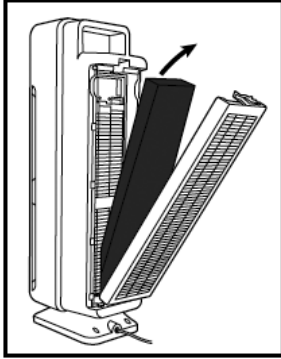


La luz del Reemplazo del FILTRO parpadeará continuamente para indicar que es momento de reemplazar su filtro. Reemplace el filtro de acuerdo con las indicaciones y reinicie el sistema. Dependiendo del uso del aparato, el filtro puede durar 6 meses aproximadamente.

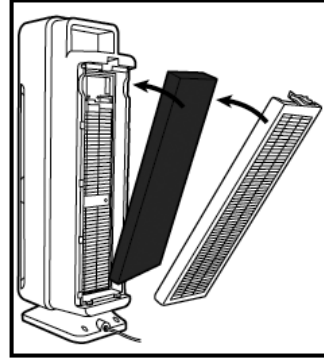
1. Apague y desenchufe la unidad.



2. Appuyez sur le bouton de verrouillage/déverrouillage et retirez le couvercle à l'arrière de l'appareil.



3. Retire el Filtro combinado utilizado (Filtro B) y tírelo a la basura.



4. Inserte el sistema del filtro en la unidad. Fijese en la flecha del filtro para ver la dirección correcta de instalación.

5. Para reiniciar el indicador del filtro, mantenga presionado el botón del temporizador durante 5 segundos.

NETTOYAGE ET ENTRETIEN DE LA COMBINAISON DE FILTRES

Mantenga el filtro revisándolo frecuentemente.

Según las condiciones de la calidad del aire, podría necesitar reemplazarlo más frecuentemente.

Aspire la capa del filtro de carbón tan seguido como sea necesario para retirar los escombros sueltos y el polvo, y para ayudar a prolongar la vida de su filtro. (Consulte la pag. E5 para ver las capas del filtro).

Para revisar el estado del filtro, retire la capa de carbón para exponer el filtro plisado. Si el filtro ya no es de color blanco y está cubierto con polvo gris o suciedad, debe reemplazarlo.

Important : ne lavez PAS et ne réutilisez PAS la combinaison de filtres.

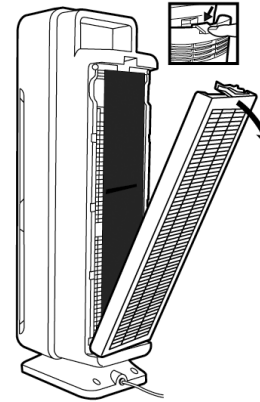
IMPORTANTE: Para mantener la garantía y el desempeño del purificador de aire, utilice únicamente piezas de repuesto GENUINAS de Guardian Technologies.

Des filtres authentiques de rechange peuvent être achetés directement sur le site www.guardiantechnologies.com

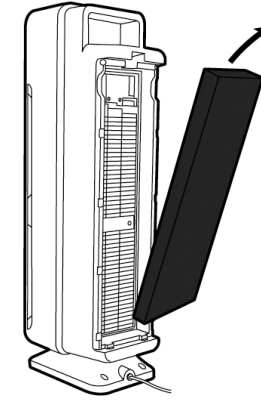
FILTRE **B** (FLT4825)

INSTALLER ET RETIRER LE TUBE UVC

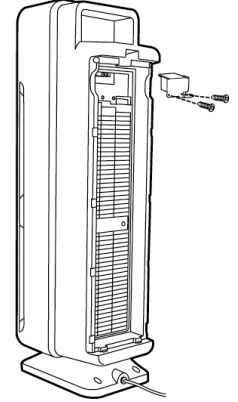
Voyant de remplacement du tube UV: L'anneau lumineux bleu sur le devant du tableau de commande du système de purification d'air clignote lorsqu'il est temps de remplacer le tube.



1. Arrêtez l'appareil et débranchez-le. Appuyez sur le bouton de verrouillage/déverrouillage et retirez le couvercle à l'arrière de l'appareil.

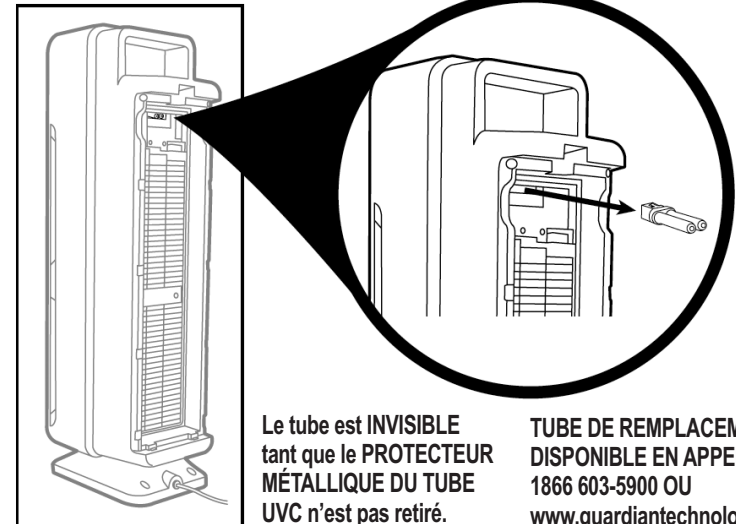


2. Retirez la combinaison de filtres de l'appareil.



3. Après avoir retiré le filtre combiné, utilisez un tournevis cruciforme pour dévisser les 2 vis et détacher le protecteur métallique de la lampe UVC.

4. Pour retirer le tube UVC, saisissez-le en utilisant un chiffon ou un mouchoir en papier propre et tirez dessus pour le dégager de l'appareil.



Le tube est INVISIBLE tant que le PROTECTEUR MÉTALLIQUE DU TUBE UVC n'est pas retiré.

TUBE DE REMPLACEMENT : LB4000 DISPONIBLE EN APPELANT LE 1866 603-5900 OU www.guardiantechnologies.com

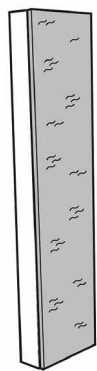
5. Pour réinstaller le tube UVC, faites-le glisser horizontalement dans la fente en haut de l'appareil.

6. Appuyez sur le bouton UV pendant 3 secondes pour réinitialiser le voyant de remplacement du tube d'UV-C.

PIÈCES DE REMPLACEMENT

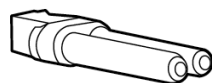
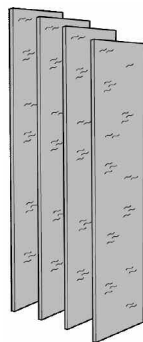
IMPORTANTE: Para mantener la garantía y el desempeño del purificador de aire, utilice únicamente, piezas de repuesto GENUINAS de Guardian Technologies.

Pour commander, appelez le service à la clientèle au 1.866.603.5900 ou rendez-vous sur le site: www.guardiantechnologies.com Euclid, Ohio 44132

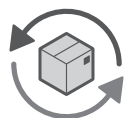


Filter de remplacement pour **FILTRE B**
No de modèle **FLT4825, FLT4850PT**

Paquet de 4 filtres au charbon actif de rechange
Référence **FLT22CB44**



Tube UVC de remplacement
No de modèle **LB4000**



AutoShip & Save

Découvrez notre programme en ligne de rappel de remplacement des filtres.
www.guardiantechnologies.com

Remarque: N'enfoncez PAS d'objets, ni vos doigts, à l'intérieur de l'appareil.

Avertissement: N'utilisez PAS d'essence, de benzine, de diluant ou de nettoyeurs puissants (entre autres) pour nettoyer la surface intérieure ou l'extérieur de l'appareil, car cela risque de l'endommager. N'utilisez **JAMAIS** d'alcool ni d'autres dissolvants.

Débit d'air pur

Comparez les performances des différents purificateurs d'air à l'aide du CADR. Premièrement, repérez la superficie de la pièce suggérée. Puis, consultez les données CADR. Plus la valeur est élevée, plus l'appareil filtre rapidement l'air.

L'utilisation de ce système de purification d'air est suggérée pour une pièce unique fermée d'une superficie allant jusqu'à 11.5 mètres carrés.

Des valeurs CADR plus élevées permettent une performance supérieure dans des pièces de toute superficie. Les purificateurs d'air portables sont beaucoup plus efficaces dans les pièces si les portes et les fenêtres sont fermées.

Fumée de Tabac: 80+

Cette valeur correspond au rendement prévu au cours des 72 premières heures d'utilisation. Les valeurs après cette période peuvent varier en fonction de l'utilisation.

Appareil teste conforme aux normes nationales ANSI/AHAM AC-1

Qu'est-ce que le CADR?

CADR est l'acronyme de Clean Air Delivery Rate, soit le volume d'air filtré produit par un purificateur d'air. Le classement CADR indique l'efficacité d'un purificateur d'air dans sa filtration des particules fines, telles que la fumée de tabac et les pollens de plantes, dans une pièce.

GUIDE DE DÉPANNAGE

PROBLEM	SOLUTION
L'appareil ne fonctionne pas.	Vérifiez que l'appareil est branché. Vérifiez que le filtre est bien en place. Confirmez que le filtre de rechange est un filtre authentique la clientèle au 1.866.603.5900.
L'appareil s'éteint intempestivement.	Vérifiez que l'appareil est branché à une prise de courant fonctionnelle. Vérifiez que le filtre est bien en place. Vérifiez que le couvercle arrière est bien verrouillé. Veuillez communiquer avec le service à la clientèle au 1.866.603.5900.
Il n'y a pas de circulation d'air.	Débranchez l'appareil. Vérifiez le préfiltre au charbon et le filtre. Nettoyez le préfiltre au charbon au besoin. Remplacez le filtre au besoin.
Augmentation du niveau de bruit.	Assurez-vous que les filtres sont propres. Remplacez-les au besoin.
La aplicación no se descargará.	Asegúrese de tener la actualización más reciente en su teléfono inteligente.
No se "ENLAZA" o no encuentra de que el teléfono inteligente con Wifi o Bluetooth®	Verifique que el dispositivo esté conectado. Asegúrese de que el dispositivo esté a una distancia no mayor a un brazo del purificador. Asegúrese de que la luz esté parpadeando con color azul.